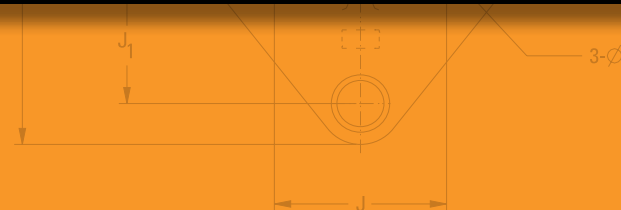
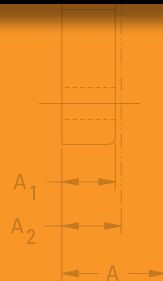


# TIMKEN



## TIMKEN® CORROSION-RESISTANT BALL BEARING HOUSED UNIT CATALOG





## ABOUT THE TIMKEN COMPANY

As a global leader in bearings and power transmission systems, Timken focuses on precise solution design, materials and craftsmanship to deliver reliable and efficient performance that improves productivity and uptime. Timken offers a full range of bearings, gear drives, automated lubrication systems, belts, chains, couplings and linear motion products along with rebuild and repair services. Timken applies its proven expertise in metallurgy, tribology and mechanical power transmission to create innovative approaches to customers' complex needs. Global availability of products and engineering talent, combined with exceptional service delivery across markets, makes Timken a preferred choice worldwide.

To view more Timken catalogs, go to [www.timken.com/catalogs](http://www.timken.com/catalogs) for interactive versions, or to download our catalog app to your smart phone or mobile device.



## TIMKEN® CORROSION-RESISTANT BALL BEARING HOUSED UNIT CATALOG INDEX

Introduction . . . . .	2
How To Use This Catalog . . . . .	3
Shelf Life/Storage . . . . .	3
Warnings . . . . .	4

### ENGINEERING

Housing Styles . . . . .	6
End Cover Styles . . . . .	7
Product Information . . . . .	8
Nomenclature . . . . .	11
Ball Housing Unit Installation . . . . .	12
Installing Units with Covers . . . . .	13
Lubrication . . . . .	14
Radial Internal Clearance . . . . .	15
Speed Ratings . . . . .	15

### STAINLESS STEEL HOUSED UNITS

#### WITH STAINLESS STEEL BALL BEARING INSERTS

Stainless Steel Two-Bolt Pillow Block Housed Units . . . . .	18
Stainless Steel Two-Bolt Flanged Housed Units . . . . .	20
Stainless Steel Three-Bolt Flanged Housed Units . . . . .	22
Stainless Steel Four-Bolt Flanged Housed Units . . . . .	24
Stainless Steel Tapped-Base Housed Units . . . . .	26
Stainless Steel Take-Up Housed Units . . . . .	28

### WHITE POLYMER (THERMOPLASTIC) HOUSED UNITS

#### WITH STAINLESS STEEL BALL BEARING INSERTS

Polymer Two-Bolt Pillow Block Housed Units . . . . .	32
Polymer Two-Bolt Flanged Housed Units . . . . .	34
Polymer Three-Bolt Flanged Housed Units . . . . .	36
Polymer Four-Bolt Flanged Housed Units . . . . .	38

### HYGIENIC BLUE POLYMER (THERMOSET) HOUSED UNITS

#### WITH STAINLESS STEEL BALL BEARING INSERTS

Polymer Two-Bolt Pillow Block Housed Units . . . . .	42
Polymer Two-Bolt Flanged Housed Units . . . . .	44
Polymer Three-Bolt Flanged Housed Units . . . . .	46
Polymer Four-Bolt Flanged Housed Units . . . . .	48
Polymer Tapped-Base (Imperial Thread) Housed Units . . . . .	50
Polymer Tapped-Base (Metric Thread) Housed Units . . . . .	52
Polymer Take-Up Housed Units . . . . .	54

### HYGIENIC STAINLESS STEEL HOUSED UNITS

#### WITH STAINLESS STEEL BALL BEARING INSERTS

Stainless Steel Two-Bolt Pillow Block Housed Units . . . . .	58
Stainless Steel Two-Bolt Flanged Housed Units . . . . .	60
Stainless Steel Three-Bolt Flanged Housed Units . . . . .	62
Stainless Steel Four-Bolt Flanged Housed Units . . . . .	64
Stainless Steel Tapped-Base (Imperial Thread) Housed Units . . . . .	66
Stainless Steel Tapped-Base (Metric Thread) Housed Units . . . . .	68
Stainless Steel Take-Up Housed Units . . . . .	70

### STAINLESS STEEL SET SCREW LOCKING BALL BEARING INSERTS

Stainless Steel Set Screw Locking Ball Bearing Inserts . . . . .	74
--	----

### CORROSION-RESISTANT HOUSED UNIT END COVERS

Stainless Steel End Covers . . . . .	78
Polymer End Covers . . . . .	79
End Cover Dimensions . . . . .	80

### CORROSION-RESISTANT HOUSED UNIT BALL BEARING PRODUCT OFFERING

Product Offering . . . . .	82
----------------------------	----

## **TIMKEN® CORROSION-RESISTANT BALL BEARING HOUSED UNITS**

### **DESIGNED FOR SAFE, EFFICIENT MANUFACTURING FOR THE FOOD AND BEVERAGE INDUSTRY**

Today's consumers are demanding safer and healthier food. It's prompting governments to enforce more stringent food safety regulations. Food and beverage manufacturers/producers need premium products that deliver the machinery uptime and food safety that they, their customers and their governments expect.

Meet these challenges head-on with Timken. Our Corrosion-Resistant Ball Bearing Housed Units are an ideal fit for a variety of applications, including grinding and mixing equipment, extrusion, bagging, conveying and more.

#### **Corrosion-Resistant Ball Bearing Housed Units**

Corrosion-resistant materials and food-grade lubricant help elevate food safety and production uptime. These products also deliver improved reliability and protect against a variety of wet and dry contaminants, dramatically improve bearing life.

- Stainless steel ball bearing inserts with set screw
- Housings available in cast stainless steel, white polymer (thermoplastic) as well as in hygienic blue polymer (thermoset) and hygienic stainless steel, in all mounting styles
- Interchangeable industry-standard mounted bearing from 20 mm to 50 mm (¾ in. to 2 in.)
- Designed for normal operation between -20° C and 100° C (-4° F and 212° F)
- Solid Lube options

#### **Improve Food Safety**

Our products meet the most stringent food safety legislation and regulations. You gain reliable operations with peak performance in critical machines.

#### **Achieve Lower Cost Of Ownership**

Long-lasting products and predictive maintenance help you avoid sudden, expensive shutdowns. Head off costly changeouts with products designed to handle corrosion, thermal expansion and harsh chemicals.



## HOW TO USE THIS CATALOG

We designed this catalog to help you find the Timken bearings best suited to your equipment needs and specifications. Timken offers an extensive range of bearings and accessories in both imperial and metric sizes. For your convenience, size ranges are indicated in millimeters and inches. Contact your Timken engineer to learn more about our complete line for the special needs of your application.

This publication contains dimensions, tolerances and load ratings, as well as engineering sections describing mounting and fitting practices for shafts and housings, internal clearances, materials and other bearing features.

It provides valuable assistance in the initial consideration of the type and characteristics of the bearings that may best suit your particular needs.

ISO, as used in this publication, refers to the International Organization for Standardization and JIS refers to the Japanese Industrial Standards.

**Updates are made periodically to this catalog. Visit [www.timken.com/catalogs](http://www.timken.com/catalogs) for the most recent version of the Corrosion-Resistant Ball Bearing Housed Unit Catalog.**

## SHELF LIFE AND STORAGE OF GREASE-LUBRICATED BEARINGS AND COMPONENTS

To help you get the most value from our products, Timken provides guidelines for the shelf life of grease-lubricated ball and roller bearings, components and assemblies. Shelf life information is based on Timken and industry test data and experience.

### SHELF LIFE

Shelf life should be distinguished from lubricated bearing/component design life as follows:

Shelf life of the grease-lubricated bearing/component represents the period of time prior to use or installation.

The shelf life is a portion of the anticipated aggregate design life. It is impossible to accurately predict design life due to variations in lubricant bleed rates, oil migration, operating conditions, installation conditions, temperature, humidity and extended storage.

**TIMKEN IS NOT RESPONSIBLE FOR THE SHELF LIFE OF ANY BEARING/COMPONENT LUBRICATED BY ANOTHER PARTY.**

### European REACH compliance

Timken lubricants, greases and similar products sold in standalone containers or delivery systems are subject to the European REACH (Registration, Evaluation, Authorization and Restriction of CHemicals) directive. For import into the European Union, Timken can sell and provide only those lubricants and greases that are registered with ECHA (European CHemical Agency). For further information, please contact your Timken engineer.

### STORAGE

Timken suggests the following storage guidelines for our finished products (bearings, components and assemblies, referred to as "products"):

- Unless directed otherwise by Timken, products should be kept in their original packaging until they are ready to be placed into service
- Do not remove or alter any labels or stencil markings on the packaging
- Products should be stored in such a way that the packaging is not pierced, crushed or otherwise damaged
- After a product is removed from its packaging, it should be placed into service as soon as possible
- When removing a product that is not individually packaged from a bulk pack container, the container should be resealed immediately after the product is removed
- The storage area temperature should be maintained between 0° C and 40° C; temperature fluctuations should be minimized
- The relative humidity should be maintained below 60 percent and the surfaces should be dry
- The storage area should be kept free from airborne contaminants such as, but not limited to, dust, dirt, harmful vapors, etc.
- The storage area should be isolated from undue vibration
- Extreme conditions of any kind should be avoided

Due to the fact that Timken is not familiar with your particular storage conditions, we strongly suggest following these guidelines. However, you may be required by circumstances or applicable government requirements to adhere to stricter storage requirements.

Be careful in selecting lubrication, however, since different lubricants are often incompatible.

When you receive a bearing shipment, do not remove products from their packaging until they are ready for mounting so they do not become corroded or contaminated.

Store bearings and bearing housings in an appropriate atmosphere so they remain protected for the intended period.

**WARNING**

***Failure to observe the following warnings could create a risk of death or serious injury.***

Proper maintenance and handling practices are critical. Always follow installation instructions and maintain proper lubrication.

Never spin a bearing with compressed air.  
The components may be forcefully expelled.

Overheated bearings can ignite explosive atmospheres. Special care must be taken to properly select, install, maintain and lubricate housed unit bearings that are used in or near atmospheres that may contain explosive levels of combustible gases or accumulations of dust such as grain, coal, or other combustible materials. Consult your equipment designer or supplier for installation and maintenance instructions.

If hammer and bar are used for installation or removal of a part, use a mild steel bar (e.g., 1010 or 1020 grade). Mild steel bars are less likely to cause release of high speed fragments from the hammer or bar or the part being installed or removed.

Ungrounded bearings can create static electricity that can ignite in an explosive atmosphere such as combustible gases or accumulations of dust such as grain, coal, or other combustible materials. Proper dissipation of such potential static electricity discharge must be assured to prevent any such explosion.

Below -40° C (-40° F), polymer housings may break.  
Select stainless or steel housings that operate to lower temperatures.

Tensile stresses can be very high in tightly fitted bearing components. Attempting to remove such components by cutting the inner ring may result in a sudden shattering of the component, causing fragments of metal to be forcefully expelled.

Always use properly guarded presses or bearing pullers to remove bearings from shafts, and always use suitable personal protective equipment, including safety glasses.

**For additional Timken product warnings, visit [www.timken.com/warnings](http://www.timken.com/warnings).**

**CAUTION**

***Failure to observe the following cautions could result in property damage.***

The products cataloged are application specific. Any use in applications other than those intended could lead to equipment failure or to reduced equipment life.

Use of improper bearing fits may cause damage to equipment.

Do not use damaged housed units.

Do not use damaged bearings.  
The use of a damaged bearing can result in equipment damage.

**NOTE**

*Do not use excessive force when mounting or dismounting the unit.*

*Follow all tolerance, fit, and torque recommendations.*

*Always follow the Original Equipment Manufacturer's installation and maintenance guidelines.*

*Ensure proper alignment.*

*Never weld housed units.*

*Do not heat components with an open flame.*

*Do not operate at bearing temperatures above 121° C (250° F).*

**DISCLAIMER**

***This catalog is provided solely to give you analysis tools and data to assist you in your product selection. Product performance is affected by many factors beyond the control of Timken. Therefore, you must validate the suitability and feasibility of all product selections.***

***Timken products are sold subject to Timken terms and conditions of sale, which include our limited warranty and remedy. You can find these at <https://www.timken.com/legal-notices/termsandconditionsofsale/>.***

***Please consult with your Timken engineer for more information and assistance. Every reasonable effort has been made to ensure the accuracy of the information in this writing, but no liability is accepted for errors, omissions or for any other reason.***



**ENGINEERING**

Timken offers a full range of standard corrosion-resistant Ball Bearing Housed Units with stainless steel set screw inserts in both metric and imperial sizes.

The following topics are covered within this section:

Housing Styles ..... 6

End Cover Styles ..... 7

Product Information ..... 8

Nomenclature ..... 11

Ball Housed Unit Installation ..... 12

Installing Units with Covers ..... 13

Lubrication ..... 14

Radial Internal Clearance ..... 15

Speed Ratings ..... 15

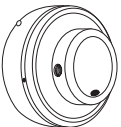
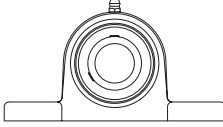
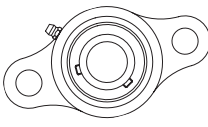
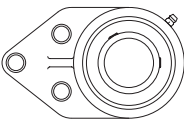
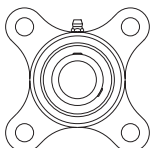
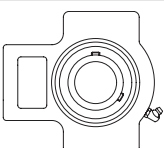
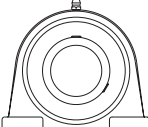


*To view more Timken catalogs, go to [www.timken.com/catalogs](http://www.timken.com/catalogs) for interactive versions, or to download the Timken catalog app for your smart phone or mobile device scan the QR code or go to [timkencatalogs.com](http://timkencatalogs.com).*

## HOUSING STYLES

Timken offers corrosion-resistant housings available in cast stainless steel, white polymer (thermoplastic) as well as in hygienic blue polymer (thermoset) and hygienic stainless steel.

**TABLE 1.  
HOUSING UNIT MODEL LIST**

Model (Representative Image)	Insert Material	Locking Style	Housing Material (Available in)	Model Code	Shaft Diameter				Dimension Table Page Number					
					Min.	Max.	Min.	Max.						
					in.		mm							
	Ball Bearing Inserts	Stainless Steel (S)	Set Screw (UC)	–	SUC	¾	2.0	20	50	74, 75				
	Pillow Block Units (P)	Stainless Steel (S)	Set Screw (UC)	Stainless Steel White Polymer (Thermoplastic)	SUCSP SUCPLP	¾	2.0	20	50	18, 19 32, 33				
				Hygienic Stainless Steel Blue Polymer (Thermoset)	SUCAP SUCBP					58, 59 42, 43				
	Two-Bolt Flange Units (FL)	Stainless Steel (S)	Set Screw (UC)	Stainless Steel White Polymer (Thermoplastic)	SUCSFL SUCPLFL	¾	2.0	20	50	20, 21 34, 35				
				Hygienic Stainless Steel Blue Polymer (Thermoset)	SUCAFL SUCBFL					60, 61 44, 45				
	Three-Bolt Flange Unit (FB)	Stainless Steel (S)	Set Screw (UC)	Stainless Steel White Polymer (Thermoplastic)	SUCSFB	¾	2.0	20	50	22, 23				
					SUCPLFB					¾	1 7/16	20	35	36, 37
				Hygienic Stainless Steel Blue Polymer (Thermoset)	SUCAFB SUCBFB					¾	2.0	20	50	46, 47 62, 63
	Four-Bolt Flange Units (F)	Stainless Steel (S)	Set Screw (UC)	Stainless Steel White Polymer (Thermoplastic)	SUCSF SUCPLF	¾	2.0	20	50	24, 25 38, 39				
				Hygienic Stainless Steel Blue Polymer (Thermoset)	SUCAF SUCBF					64, 65 48, 49				
	Take-Up Units (T)	Stainless Steel (S)	Set Screw (UC)	Stainless Steel	SUCST	¾	2.0	20	50	28, 29				
				Hygienic Stainless Steel Blue Polymer (Thermoset)	SUCAT SUCBT					70, 71 54, 55				
	Tapped Base (TB, TBY, TBYM)	Stainless Steel (S)	Set Screw (UC)	Stainless Steel	SUCSTB	¾	2.0	20	50	26, 27				
				Hygienic Stainless Steel Blue Polymer (Thermoset)	SUCATBY SUCBTBY SUCATBYM SUCBTBYM					66, 67, 68, 69 50, 51, 52, 53				





## END COVER STYLES

Timken offers corrosion-resistant open and closed end covers made of stainless steel or polymer (thermoplastic) that can be used for additional protection.

Covers for ball bearing housed units are available in two different materials (stainless steel and polymer) and two

different configurations (open and closed). The appropriate cover part numbers are shown in the product tables. Stainless steel end covers are intended for stainless steel housings only. Polymer end covers can be installed in either stainless steel or polymer housings.

**TABLE 2.**  
**END COVER MODEL LIST**

Model	End Cover Material	Model Code	Shaft Diameter				Dimension Table Page Number	
			Min.	Max.	Min.	Max.		
			in.		mm			
	End Covers	Stainless Steel (S)	ECS-U, EOS-U	¾	2.0	20	50	78
	End Covers	Polymer (P)	ECP-U, EOP-U	¾	2.0	20	50	79

Timken polymer end covers have drain holes that allow water that enters to cover to drain out.  
Note: Hygienic housings do not accept end covers.

## PRODUCT INFORMATION

### STAINLESS STEEL PRECISION FORMED FLINGER

Provides the first level of protection against contamination.

### HIGH-PERFORMANCE THREE ELEMENT SEAL

Offers additional levels of protection with a bonded nitrile rubber seal engineered interfaces contacting the flinger and inner ring, and an inward facing lip allows grease to move toward the balls and raceways. The three element sealing system is designed to protect during washdown, keeping contaminants out and grease in.

### HARDENED AND GROUND SEAL LAND

Helps protect against abrasive wear, extending seal life.

### STAINLESS STEEL OUTER RING WITH SPHERICAL OUTSIDE DIAMETER

Engineered fit between bearing and housing to improve bearing life.

### LUBRICATION DELIVERY SYSTEM

Precision-machined lubrication groove and holes in the outer ring of the bearing. Standard bearings are pre-lubricated with food grade grease with Solid Lube options also available.

### STAINLESS STEEL BALLS AND STAINLESS STEEL CAGE

Stainless steel cage provides effective ball guidance and high-temperature service capability. Metal detection is possible since the entire bearing is made of metal.

### STAINLESS STEEL WIDE INNER RING BALL BEARING INSERT

Improved shaft support over narrow rings, improving bearing life and reducing misalignment.

### STAINLESS STEEL AND POLYMER HOUSING OPTIONS

Hygienic construction with laser marking, solid base and smooth surface for maximum cleanability.

## WHAT IS HYGIENIC DESIGN?

Hygienic design is the practice of engineering and designing machines with safer food production in mind. Built to address common food safety hazards, hygienic design products resist:

- Chemical contamination related to lubricant leakage, oxide particles or polymer contact.
- Physical contamination, including foreign particles from loose or broken parts.
- Microbiological contamination from bacteria or fungi that develop in dead volumes.

Our hygienic design products have been designed according to NSF/ANSI/3-A SSI 14159-1 – 2014 requirements. These globally recognized standards help improve food safety by:

- Mandating the use of corrosion- and washdown-resistant materials.
- Requiring construction that facilitates cleaning and inspection.
- Preventing the retention of moisture and contaminants.

Timken hygienic housings meet the highest standards in food safety. They feature:

- Highly corrosion-resistant stainless steels and chemically resistant engineered polymers.
- Hygienic construction due to its solid base with no dead spaces that cannot be accessed for cleaning, smooth surface, sleek and rounded shape, laser marking.

As a result, Timken Hygienic housings are certified as Accepted Equipment by the USDA under the Meat and Poultry Equipment Review Program.



Take food safety to the next level with:

- Greaseless ball bearings with NSF H1-registered solid lube.
- Metal cage ball bearings for enhanced detectability.
- Optically detectable blue polymer housings.
- Optional QuiKlean® stand-off for maximum cleanability and limited contact area.

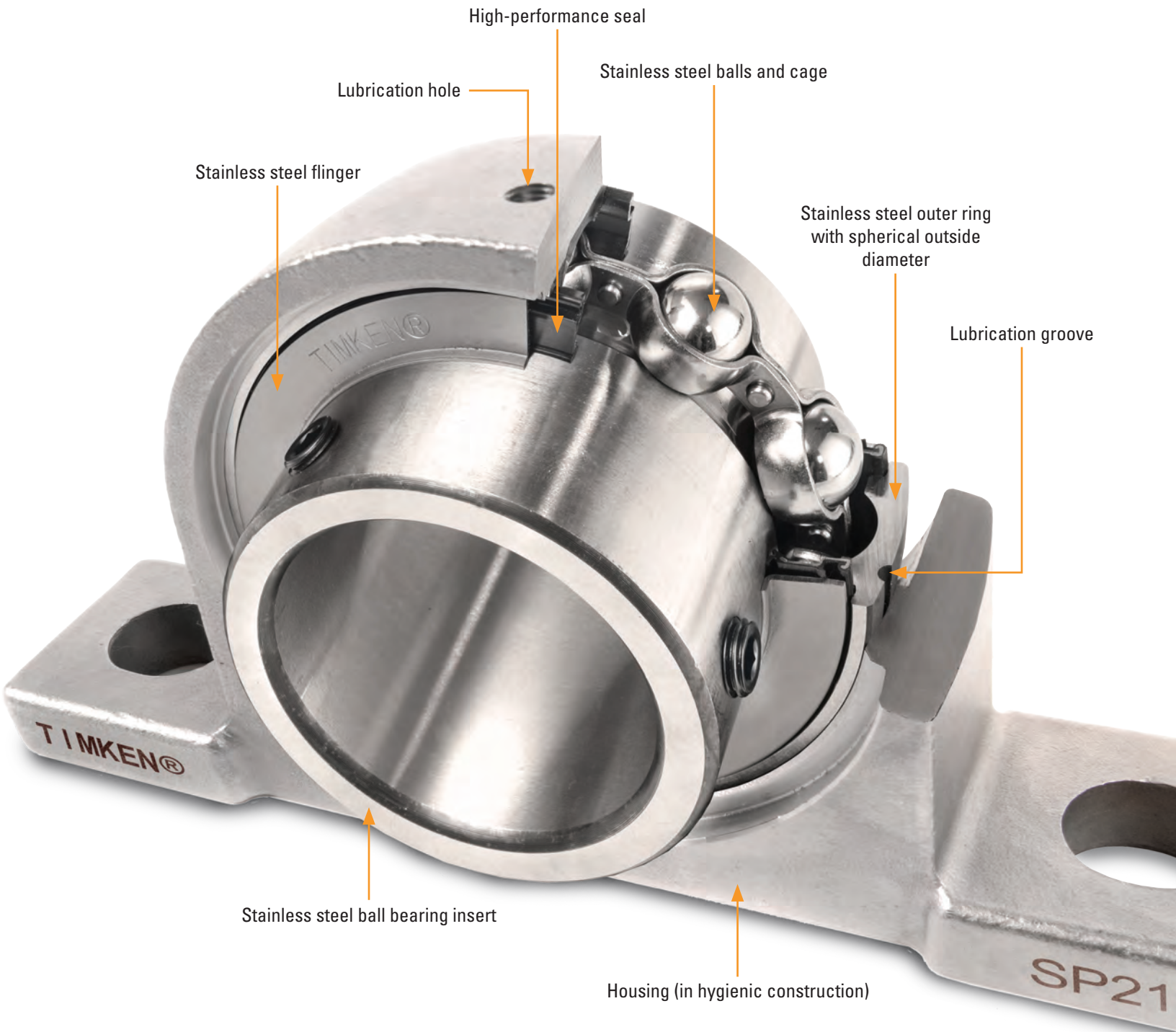


Fig. 1. Diagram of a corrosion-resistant pillow block housed unit.

HOUSING



Fig. 4. S - stainless steel.

- Stainless steel solid body housing
- Smooth surface
- Laser marking
- Lubrication hole plugged for Solid Lube insert



Fig. 6. A - hygienic stainless steel.

- Hygienic machined stainless steel housing
- Ultra smooth surface housed unit
- USDA acceptance for housings
- Laser marking
- No lubrication hole for Solid Lube insert



Fig. 5. PL - white polymer (thermoplastic).

- White polymer (thermoplastic) solid body housing
- Smooth surface
- Laser marking
- Lubrication hole plugged for Solid Lube insert



Fig. 7. B - hygienic blue (thermoset).

- Hygienic blue polymer (thermoset) solid body housing
- Ultra smooth surface
- USDA acceptance for housings
- Laser marking
- No lubrication hole for Solid Lube insert

## NOMENCLATURE

### CORROSION-RESISTANT BALL BEARING HOUSED UNIT

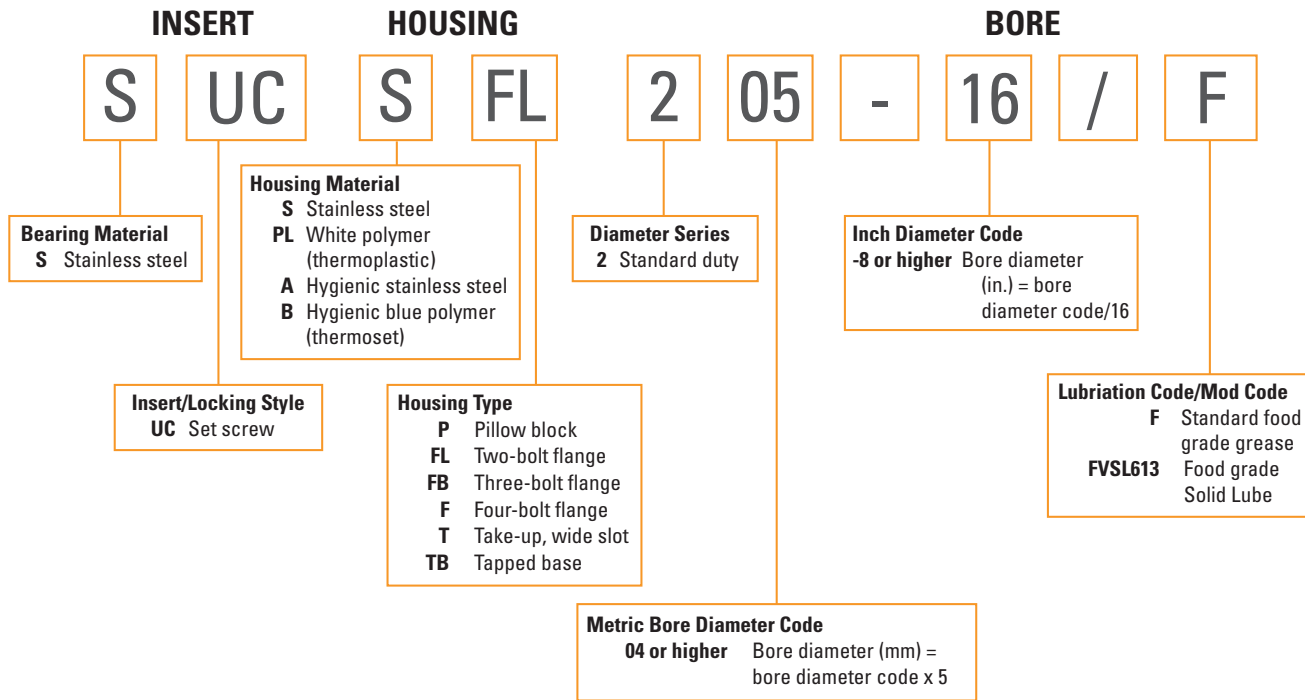


Fig. 2. Corrosion-resistant ball housed unit nomenclature.

### CORROSION-RESISTANT BALL BEARING HOUSED UNIT END COVER

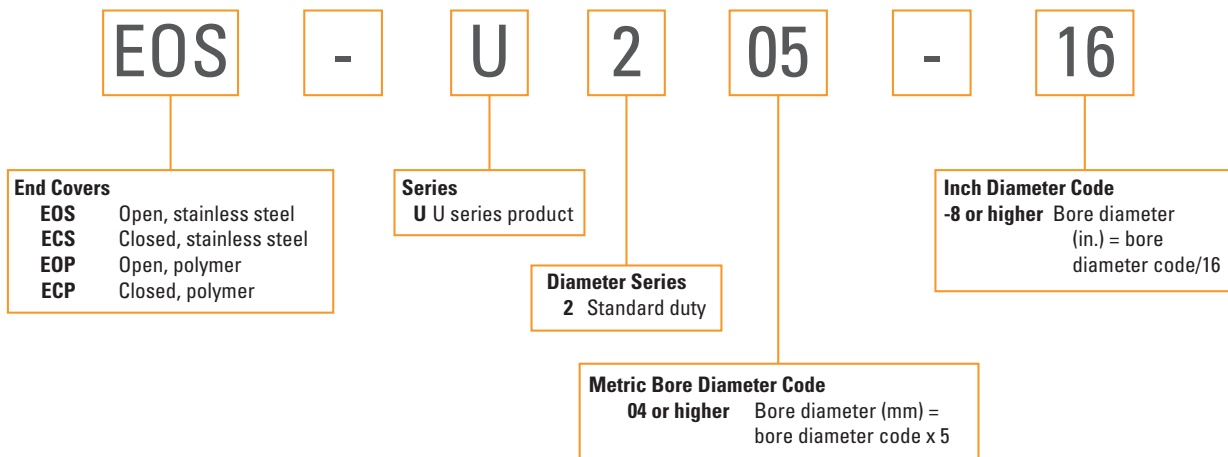


Fig. 3. Corrosion-resistant ball housed unit end cover nomenclature.

## BALL HOUSED UNIT INSTALLATION

### SET SCREW STYLE UNITS

Set screw style units are mounted on the shaft with the help of two set screws in the inner ring located at 120 degrees to each other. The set screw locking mechanism provides ease in mounting and is suitable for applications where the shaft rotation is bidirectional.

Installation procedures for set screw style units are shown below.

1. Ensure that the shaft is clean, free from burrs, straight and of proper diameter. The bearing should not be mounted on a worn section of the shaft. Using shafts with hardness greater than HRC 45 will reduce effectiveness of locking devices. See table 3 for suggested shaft tolerances.
2. Install the supplied grease fitting into the threaded lubrication hole on the housing. Align the bearing in its housing and slide the unit into position on the shaft.

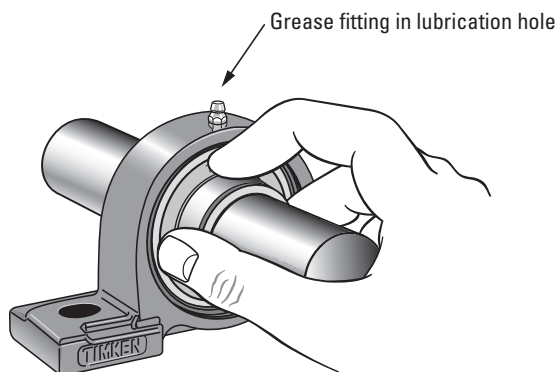


Fig. 8. Installing grease fitting into threaded lubrication hole.

3. Bolt the housing tightly to its mounting supports using an appropriately sized fastener and suggested bolt torque (table 4). Flat washers should be used when installing any kind of housed unit. Washers should be properly sized to bolt diameter.

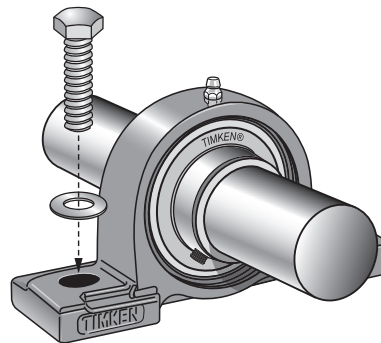


Fig. 9. Bolting the housing.

4. Lock the bearing to the shaft by tightening each inner ring set screw incrementally to suggested torque levels (table 5).

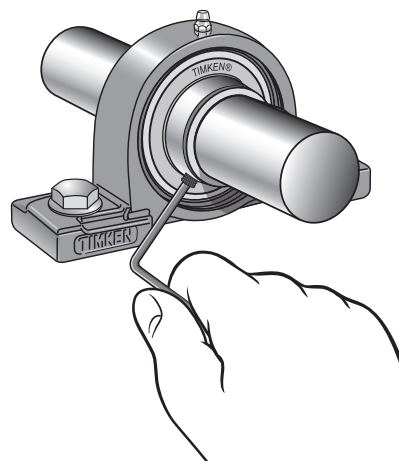


Fig. 10. Locking the bearing.

## TECHNICAL DATA

The following tables provide important installation details related to shaft tolerance, recommended torque for set screws and mounting bolts.

**TABLE 3.**  
**SUGGESTED SHAFT TOLERANCE (1)**

Shaft Size		Shaft Tolerance	
Over	Incl.	Min.	Max.
mm in.	mm in.	mm in.	mm in.
20 0.750	30 1.000	0 0.000	-0.013 -0.0005
30 1.125	50 1.938	0 0.000	-0.016 -0.0006

(1) These are for normal service; for heavy loads, high speeds or vertical shaft applications, consult your equipment manufacturer or your local Timken representative.

**TABLE 4.**  
**SUGGESTED MOUNTING BOLT TORQUE**

Bolt Size	Tightening Torque	Bolt Size	Tightening Torque
mm	N-m	in.	ft.-lbs.
M8	6 – 10	5/16	4 – 7
M10	12 – 21	3/8	9 – 16
M12	21 – 37	7/16	16 – 27
M14	34 – 60	1/2	26 – 44
M16	53 – 93	5/8	39 – 69

**TABLE 5.**  
**SUGGESTED SET SCREW TIGHTENING TORQUE**

Set Screw Size	Tightening Torque	Applicable Bore Ranges
mm	N-m	
M6 x 0.75	4	204 - 206
M8 x 1	8	207 - 210

## INSTALLING UNITS WITH COVERS

The installation procedures for housed units with covers are below:

1. Install covers after installing the housed unit.
2. Make sure the groove for the cover in the housing is clean and free of contamination.
3. Some application conditions may warrant filling the end covers with grease prior to installation.
4. When using an open cover, apply grease all around the seal lip and slide it onto the shaft.
5. Press the cover into the groove.
  - a. When using a polymer cover, press it into the groove until it is fully seated. Ensure that the drain hole is positioned directly downward.
  - b. When using a stainless steel cover, tap all around the cover with a plastic mallet until it is fully seated.



Fig. 11. End covers.

## LUBRICATION

### GREASE

Ball bearings must be lubricated to minimize friction between balls and raceways as well as between balls and cages. Lubricants can also help protect the bearings from corrosion and ingress of contaminants.

Timken Corrosion-Resistant U Series Bearings are factory pre-lubricated. They feature food-grade grease chosen for rust, corrosion and washdown resistance. The standard grease supplied by Timken is Mobil SHC™ Polyrex 462. This synthetic-oil based, advanced polyurea-thickened grease is registered under the NSF H1 category. It complies with the Food and Drug Administration's (FDA) guidelines for lubricants with incidental food contacts under 21.CFR 178.3570. The grease is also Kosher certified. Mobil SHC Polyrex 462 maintains proper lubrication for a wide range of operating temperatures from -20° C to 170° C (-4° F to 338° F).

Timken Corrosion-Resistant U Series Ball Bearings are pre-lubricated. However, it is advised to re-lubricate periodically in some applications for which these units are designed. Consult your equipment manufacturer's operating manual for the specific relubrication cycle. General guidelines are found in table 6 below.

**TABLE 6.**  
**GENERAL RELUBRICATION SUGGESTIONS**  
**FOR GREASED BEARINGS <sup>(1)</sup>**

Condition	Relubrication Interval
Indoor service, no washdown	Not required
Outdoor service	Two or three times per year
Severe outdoor exposure and washdown	Once a month
High contamination and severe washdown	Once a week

<sup>(1)</sup> As a guideline, relubricate until the first indication of grease is observed purging from the bearing.

### SOLID LUBE

Timken® Solid Lube provides a lubricating alternative to grease in harsh environments.

Solid Lube is a micro-porous polymer structure combined with high-performance oils and additives. It completely fills the free volume in the bearing between the races, rolling elements and the cage. Thanks to its micro-porous structure, the solid lubricant can contain up to three times as much oil as a similar volume of grease.

During bearing rotation, the solid lubricant polymer releases the appropriate amount of oil to lubricate the rolling elements and raceways.

Timken Solid Lube is:

- **Hygienic.** Its unique makeup helps prevent lube from contaminating food products. Some Solid Lube grades have NSF H1 registration.
- **Protective.** Its full-fill and large-oil reservoir helps guard against washdown and ingress of contaminants for safe and reliable operation.
- **Cost-effective.** Timken Solid Lube helps reduce your operating costs and increase operational productivity.
- **Versatile.** With a wide range of Solid Lube solutions, we can match application requirements, including extreme temperatures or washdown environments.

Timken/FVSL613 Solid Lube option contains an NSF H1-registered synthetic oil that complies with FDA guidelines for lubricants with incidental food contacts under 21.CFR 178.3570. It maintains proper lubrication for a wide range of operating temperatures from -45° C to 93° C (-49° F to 200° F) and provides protection against corrosion.

Other Solid Lube options are available for applications with higher temperatures, extreme chemical harshness or for industrial applications. For further information, please contact your Timken engineer.



## RADIAL INTERNAL CLEARANCE

During ball bearing manufacturing, it's standard practice to assemble rings and rolling elements with a specified internal clearance. This characteristic is necessary to absorb the loss of clearance due to thermal gradient within the bearing. Internal clearance in an application is an important factor that has a significant influence on bearing performance, as well as characteristics of heat, noise and vibration.

**TABLE 7.  
INTERNAL CLEARANCE**

Nominal Bearing Bore Dia. d		Radial Internal Clearance	
Over	Incl.	Min.	Max.
mm		µm	
20	24	13	28
24	30	13	28
30	40	15	33
40	50	18	36

## SPEED RATINGS

Many factors influence the maximum speed at which a mounted ball bearing can operate. These include the bearing design, seal design, lubricant selection and variable environmental conditions.

Maximum operating speeds are defined to maintain reasonable operating temperatures within the bearing. Going above these speed suggestions could result in high temperatures, less than desirable bearing performance, and/or degraded sealing performance. Proper maintenance is key when operation is at or near these published maximum speeds. Maximum allowable operating speeds may need to be adjusted for extreme environmental conditions like extreme temperatures.

Table 8 shows the standard allowable rotating speeds for Timken stainless steel ball bearings. These speeds apply for both grease lubricated bearings and bearings with Timken Solid Lube.

**TABLE 8.  
ALLOWABLE ROTATING SPEED FOR HOUSED UNITS**

Bore Dia. Code	Speed
	RPM
04	5800
05	5100
06	4300
07	3700
08	3300
09	3100
10	2800

- Allowable rotating speed of bearing units with covers is 80 percent of the value shown in the table 8.
- When a bearing unit is used with an excessively loose fit, the allowable rotating speed must be calculated by multiplying it by the fitting factor  $f_c$  shown in the below table 9.

**TABLE 9.  
FITTING FACTOR  $f_c$  FOR HOUSED UNITS**

Type of Ball Bearing Units	Fitting Factor $f_c$ Shaft Tolerance Range Class				
	j6	h6	h7	h8	h9
UC set screw locking	1	1	0.8	0.5	0.2

- The allowable rotating speed of a bearing unit filled with Solid Lube may be effected by the temperature of the application environment. Speed ratings for Solid Lube are based on a typical room temperature environment (~20° C). Speed ratings are reduced when environmental temperatures are higher than typical room temperature. For further information, please contact your Timken engineer



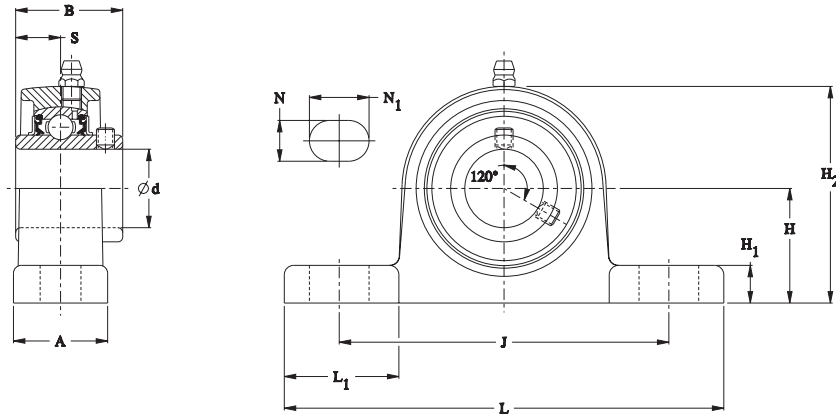


**STAINLESS STEEL HOUSED  
UNITS WITH STAINLESS STEEL  
BALL BEARING INSERTS**

The following topics are covered within this section:

Stainless Steel Two-Bolt Pillow Block Housed Units . . . . .	18
Stainless Steel Two-Bolt Flanged Housed Units . . . . .	20
Stainless Steel Three-Bolt Flanged Housed Units . . . . .	22
Stainless Steel Four-Bolt Flanged Housed Units . . . . .	24
Stainless Steel Tapped-Base Housed Units . . . . .	26
Stainless Steel Take-Up Housed Units . . . . .	28

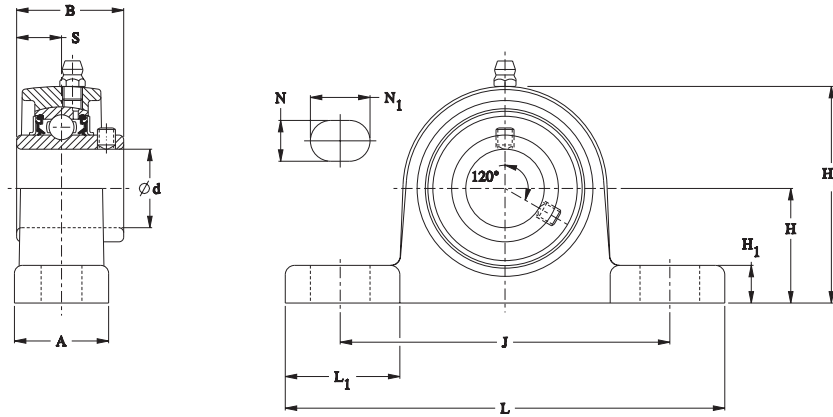
### STAINLESS STEEL TWO-BOLT PILLOW BLOCK HOUSED UNITS



Shaft Dia. d		Pillow Block Designation	Bearing Designation	Basic Load Ratings		Dimensions										Bolt Size	Wt.														
				Dynamic C <sub>r</sub>	Static C <sub>0r</sub>	H	L	L <sub>1</sub>	A	H <sub>1</sub>	J	H <sub>2</sub>	S	B	N			N <sub>1</sub>													
mm	in.			kN lbs.	kN lbs.	mm in.	mm in.	mm in.	mm in.	mm in.	mm in.	mm in.	mm in.	mm in.	mm in.	mm in.	mm in.	mm in.	mm in.	mm in.	mm in.	mm in.	mm in.	kg lbs.							
20	¾	SUCSP204-12/F	SUC204-12/F	<b>10.9</b>	<b>5.35</b>	<b>33.3</b>	<b>127</b>	<b>33.0</b>	<b>30</b>	<b>11</b>	<b>95</b>	<b>63</b>	<b>12.7</b>	<b>31.0</b>	<b>13</b>	<b>18</b>	<b>M10</b>	<b>0.6</b>													
		<b>SUCSP204/F</b>	<b>SUC204/F</b>	2450	1203	1 5/16	5	1 19/64	1 3/16	7/16	3 3/4	2 15/32	0.500	1.220	1/2	23/32	3/8	1.3													
25	7/8	SUCSP205-14/F	SUC205-14/F	<b>11.9</b>	<b>6.30</b>	<b>36.5</b>	<b>140</b>	<b>36.5</b>	<b>30</b>	<b>12</b>	<b>105</b>	<b>69</b>	<b>14.3</b>	<b>34.1</b>	<b>13</b>	<b>19</b>	<b>M10</b>	<b>0.7</b>													
	1 5/16	SUCSP205-15/F	SUC205-15/F																												
		<b>SUCSP205/F</b>	<b>SUC205/F</b>																												
		2675	1416																1 7/16	5 1/2	1 7/16	1 3/16	1 5/32	4 1/8	2 23/32	0.563	1.343	1/2	3/4	3/8	1.5
30	1	SUCSP205-16/F	SUC205-16/F	<b>16.5</b>	<b>9.05</b>	<b>42.9</b>	<b>165</b>	<b>43.5</b>	<b>36</b>	<b>13</b>	<b>121</b>	<b>81</b>	<b>15.9</b>	<b>38.1</b>	<b>17</b>	<b>21</b>	<b>M14</b>	<b>1.1</b>													
	1 1/8	SUCSP206-18/F	SUC206-18/F																												
		<b>SUCSP206/F</b>	<b>SUC206/F</b>																												
		3709	2035																1 11/16	6 1/2	1 23/32	1 13/32	1/2	4 3/4	3 3/16	0.626	1.500	2 1/2	1 3/16	1/2	2.4
35	1 1/4	SUCSP206-20/F	SUC206-20/F	<b>21.8</b>	<b>12.30</b>	<b>47.6</b>	<b>167</b>	<b>39.0</b>	<b>38</b>	<b>14</b>	<b>127</b>	<b>91</b>	<b>17.5</b>	<b>42.9</b>	<b>17</b>	<b>21</b>	<b>M14</b>	<b>1.4</b>													
	1 1/4	SUCSP207-20/F	SUC207-20/F																												
	1 5/16	SUCSP207-21/F	SUC207-21/F																												
		<b>SUCSP207/F</b>	<b>SUC207/F</b>																												
		4901	2765																1 7/8	6 9/16	1 17/32	1 1/2	5/16	5	3 19/32	0.689	1.689	2 3/2	1 3/16	1/2	3.1
	1 7/16	SUCSP207-23/F	SUC207-23/F																												

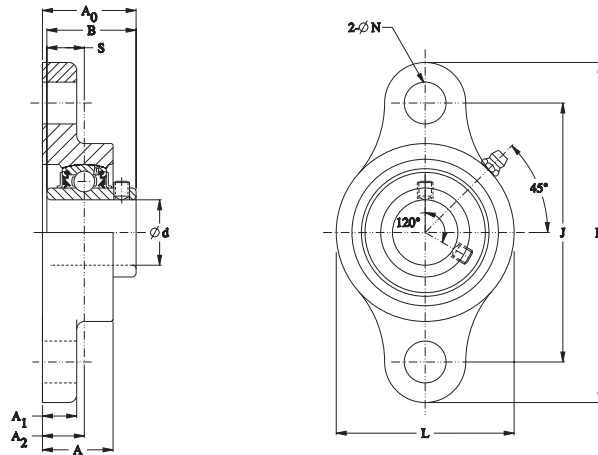
# STAINLESS STEEL HOUSED UNITS WITH STAINLESS STEEL BALL BEARING INSERTS

## STAINLESS STEEL TWO-BOLT PILLOW BLOCK HOUSED UNITS



Shaft Dia. d		Pillow Block Designation	Bearing Designation	Basic Load Ratings		Dimensions											Bolt Size	Wt.	
				Dynamic C <sub>r</sub>	Static C <sub>0r</sub>	H	L	L <sub>1</sub>	A	H <sub>1</sub>	J	H <sub>2</sub>	S	B	N	N <sub>1</sub>			
mm	in.			kN lbs.	kN lbs.	mm in.	mm in.	mm in.	mm in.	mm in.	mm in.	mm in.	mm in.	mm in.	mm in.	mm in.	mm in.	mm in.	kg lbs.
40	1 ½	SUCSP208-24/F	SUC208-24/F	24.8 5575	14.3 3215	49.2 1 15/16	184 7 ¼	43.0 1 13/16	40 1 9/16	14 9/16	137 5 13/32	97 3 13/16	19.0 0.748	49.2 1.937	17 2 1/2	21 1 3/16	M14 ½	1.7 3.7	
	1 5/8	SUCSP208-25/F	SUC208-25/F																
		<b>SUCSP208/F</b>	<b>SUC208/F</b>																
45	1 5/8	SUCSP209-26/F	SUC209-26/F	27.8 6250	16.2 3642	54.0 2 1/8	190 7 15/32	44.0 1 47/64	40 1 9/16	15 19/32	146 5 3/4	104 4 3/32	19.0 0.748	49.2 1.937	17 2 1/2	21 1 3/16	M14 ½	2.0 4.4	
	1 11/16	SUCSP209-27/F	SUC209-27/F																
	1 3/4	SUCSP209-28/F	SUC209-28/F																
		<b>SUCSP209/F</b>	<b>SUC209/F</b>																
50	1 7/8	SUCSP210-30/F	SUC210-30/F	29.8 6699	18.6 4181	57.2 2 ¼	206 8 1/8	48.0 1 7/8	45 1 25/32	16 5/8	159 6 ¼	111 4 3/8	19.0 0.748	51.6 2.031	20 2 5/32	22 7/8	M16 5/8	2.5 5.5	
	1 15/16	SUCSP210-31/F	SUC210-31/F																
	2	SUCSP210-32/F	SUC210-32/F																

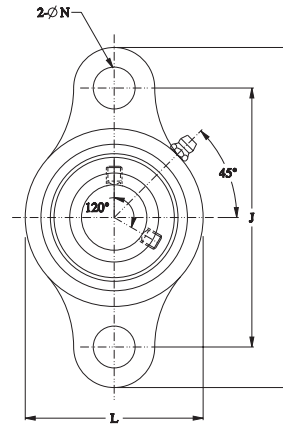
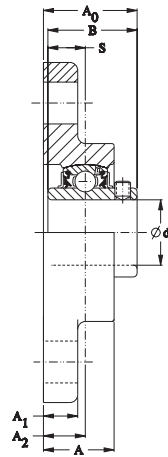
### STAINLESS STEEL TWO-BOLT FLANGED HOUSED UNITS



Shaft Dia. d		Two-Bolt Flange Designation	Bearing Designation	Basic Load Ratings		Dimensions										Bolt Size	Wt.															
				Dynamic C <sub>r</sub>	Static C <sub>0r</sub>	H	J	A <sub>1</sub>	A	A <sub>0</sub>	L	A <sub>2</sub>	S	B	N																	
mm	in.			kN lbs.	kN lbs.	mm in.	mm in.	mm in.	mm in.	mm in.	mm in.	mm in.	mm in.	mm in.	mm in.	mm in.	kg lbs.															
20	¾	SUCSFL204-12/F	SUC204-12/F	<b>10.9</b>	<b>5.35</b>	<b>113</b>	<b>90</b>	<b>10</b>	<b>26.0</b>	<b>33.3</b>	<b>60</b>	<b>15</b>	<b>12.7</b>	<b>31.0</b>	<b>12</b>	<b>M10</b>	<b>0.5</b>															
		<b>SUCSFL204/F</b>	<b>SUC204/F</b>	2450	1203	4 7/16	3 35/64	13/32	1 1/2	1 1/16	2 3/8	1 1/2	0.500	1.220	1 1/2	3/8	1.1															
25	7/8	SUCSFL205-14/F	SUC205-14/F	<b>11.9</b>	<b>6.30</b>	<b>130</b>	<b>99</b>	<b>10</b>	<b>27.5</b>	<b>35.8</b>	<b>68</b>	<b>16</b>	<b>14.3</b>	<b>34.1</b>	<b>16</b>	<b>M14</b>	<b>0.6</b>															
	1 1/16	SUCSFL205-15/F	SUC205-15/F															2675	1416	5 1/8	3 5/64	13/32	1 3/2	1 13/32	2 11/16	5/8	0.563	1.343	5/8	1/2	1.3	
	1	SUCSFL205-16/F	SUC205-16/F																													
	1 1/8	SUCSFL206-18/F	SUC206-18/F																													
30		<b>SUCSFL206/F</b>	<b>SUC206/F</b>	<b>16.5</b>	<b>9.05</b>	<b>148</b>	<b>117</b>	<b>10</b>	<b>31.0</b>	<b>40.2</b>	<b>80</b>	<b>18</b>	<b>15.9</b>	<b>38.1</b>	<b>16</b>	<b>M14</b>	<b>0.9</b>															
	1 3/16	SUCSFL206-19/F	SUC206-19/F	3709	2035	5 13/16	4 19/32	13/32	1 7/2	1 19/32	3 5/2	4 5/64	0.626	1.500	5/8	1/2	2.0															
	1 1/4	SUCSFL206-20/F	SUC206-20/F																													
35	1 1/4	SUCSFL207-20/F	SUC207-20/F	<b>21.8</b>	<b>12.30</b>	<b>161</b>	<b>130</b>	<b>11</b>	<b>34.0</b>	<b>44.4</b>	<b>85</b>	<b>19</b>	<b>17.5</b>	<b>42.9</b>	<b>16</b>	<b>M14</b>	<b>1.1</b>															
	1 3/16	SUCSFL207-21/F	SUC207-21/F															4901	2765	6 1 1/2	5 1/8	7/16	1 1 1/2	1 3/4	3 1 1/2	3/4	0.689	1.689	5/8	1/2	2.4	
	1 3/8	SUCSFL207-22/F	SUC207-22/F																													
		<b>SUCSFL207/F</b>	<b>SUC207/F</b>																													
	1 7/16	SUCSFL207-23/F	SUC207-23/F																													

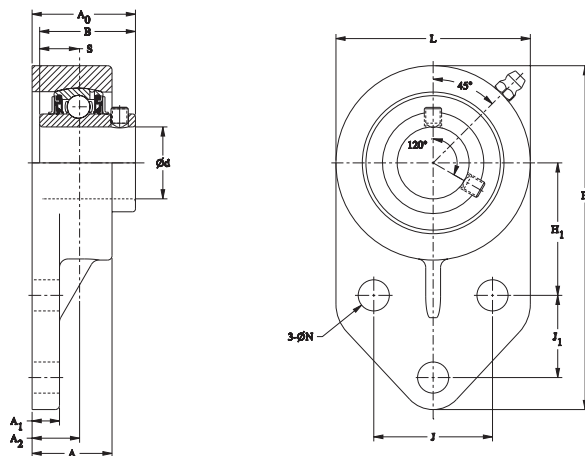
# STAINLESS STEEL HOUSED UNITS WITH STAINLESS STEEL BALL BEARING INSERTS

## STAINLESS STEEL TWO-BOLT FLANGED HOUSED UNITS



Shaft Dia. d		Two-Bolt Flange Designation	Bearing Designation	Basic Load Ratings		Dimensions										Bolt Size	Wt.	
				Dynamic $C_r$	Static $C_{0r}$	H	J	$A_1$	A	$A_0$	L	$A_2$	S	B	N			
mm	in.			kN lbs.	kN lbs.	mm in.	mm in.	mm in.	mm in.	mm in.	mm in.	mm in.	mm in.	mm in.	mm in.	mm in.	mm in.	kg lbs.
40	1 1/2	SUCSFL208-24/F	SUC208-24/F	24.8 5575	14.30 3215	175 6 7/8	144 5 49/64	12 1 1/2	36.0 1 13/32	51.2 2 1/32	94 3 11/16	21 5/64	19.0 0.748	49.2 1.937	16 5/8	M14 1/2	1.4 3.1	
	1 5/8	SUCSFL208-25/F	SUC208-25/F															
		SUCSFL208/F	SUC208/F															
45	1 3/8	SUCSFL209-26/F	SUC209-26/F	27.8 6250	16.20 3642	188 7 13/32	148 5 53/64	13 1/2	38.0 1 1/2	52.2 2 1/16	100 3 15/16	22 5/64	19.0 0.748	49.2 1.937	19 3/4	M16 5/8	1.6 3.5	
	1 11/16	SUCSFL209-27/F	SUC209-27/F															
	1 3/4	SUCSFL209-28/F	SUC209-28/F															
50	1 7/8	SUCSFL210-30/F	SUC210-30/F	29.8 6699	18.60 4181	197 7 3/4	157 6 3/16	13 1/2	40.0 1 1/16	54.6 2 5/32	106 4 3/16	22 5/64	19.0 0.748	51.6 2.031	19 3/4	M16 5/8	1.9 4.2	
	1 15/16	SUCSFL210-31/F	SUC210-31/F															
	2	SUCSFL210-32/F	SUC210-32/F															

### STAINLESS STEEL THREE-BOLT FLANGED HOUSED UNITS

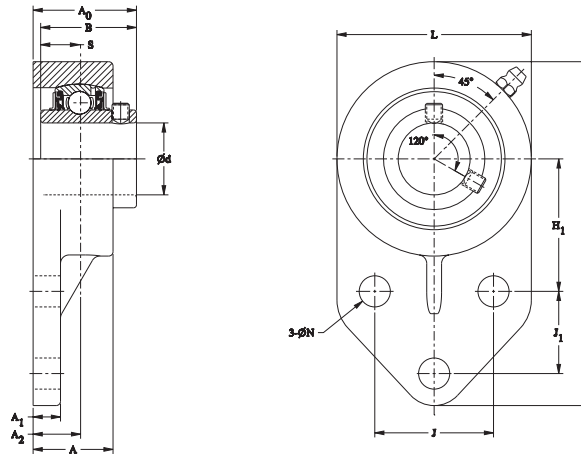


Shaft Dia. d		Three-Bolt Flange Designation	Bearing Designation	Basic Load Ratings		Dimensions												Bolt Size	Wt.	
				Dynamic C <sub>r</sub>	Static C <sub>0r</sub>	H	H <sub>1</sub>	J <sub>1</sub>	J	L	A <sub>1</sub>	A <sub>2</sub>	A	A <sub>0</sub>	B	S	N			
mm	in.				kN lbs.	kN lbs.	mm in.	mm in.	mm in.	mm in.	mm in.	mm in.	mm in.	mm in.	mm in.	mm in.	mm in.	mm in.	mm in.	kg lbs.
20	3/4	SUCSFB204-12/F	SUC204-12/F	10.9	5.4	106.9	42.9	22.2	38.1	61.5	8.0	15.1	24.1	33.4	31	12.7	10.3	M10	0.7	
		SUCSFB204/F	SUC204/F	2450	1203	4.210	1.688	0.875	1.500	2.420	0.313	0.594	0.950	1.314	1.220	0.500	0.406	3/8	1.5	
25	7/8	SUCSFB205-14/F	SUC205-14/F	11.9	6.30	119.6	46.1	28.6	41.3	67.6	9.5	16.1	24.6	35.9	34.1	14.3	10.3	M10	0.9	
	1 5/16	SUCSFB205-15/F	SUC205-15/F																	2675
30	1	SUCSFB205-16/F	SUC205-16/F	16.5	9.05	136.7	52.3	31.8	47.6	79.4	9.5	16.7	27.1	38.9	38.1	15.9	10.3	M10	1.2	
	1 1/8	SUCSFB206-18/F	SUC206-18/F																	3709
	1 3/16	SUCSFB206-19/F	SUC206-19/F																	
	1 1/4	SUCSFB206-20/F	SUC206-20/F																	



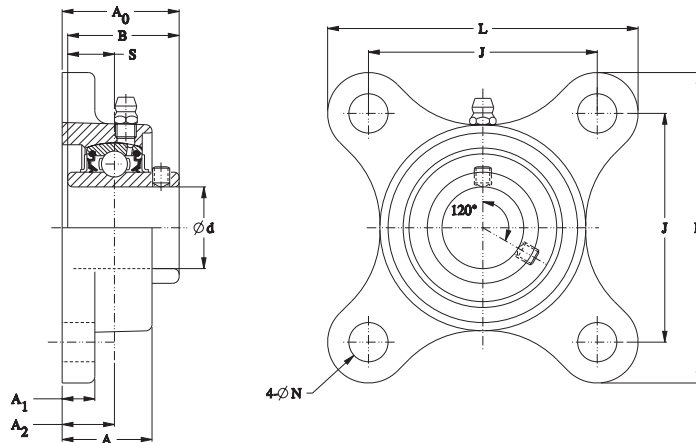
# STAINLESS STEEL HOUSED UNITS WITH STAINLESS STEEL BALL BEARING INSERTS

## STAINLESS STEEL THREE-BOLT FLANGED HOUSED UNITS



Shaft Dia. d		Three-Bolt Flange Designation	Bearing Designation	Basic Load Ratings		Dimensions											Bolt Size	Wt.	
				Dynamic	Static	H	H <sub>1</sub>	J <sub>1</sub>	J	L	A <sub>1</sub>	A <sub>2</sub>	A	A <sub>0</sub>	B	S			N
				C <sub>r</sub>	C <sub>0r</sub>	mm in.	mm in.	mm in.	mm in.	mm in.	mm in.	mm in.	mm in.	mm in.	mm in.	mm in.			mm in.
35	1 ¼	SUCSFB207-20/F	SUC207-20/F	21.8 4901	12.30 2765	152.4 6.000	60.3 2.375	31.8 1.250	50.8 2.000	92.1 3.625	12.7 0.500	20.1 0.792	31.1 1.223	45.5 1.792	42.9 1.689	17.5 0.689	13.5 0.531	M12 ½	1.9 4.2
	1 ⅝	SUCSFB207-21/F	SUC207-21/F																
	1 ¾	SUCSFB207-22/F	SUC207-22/F																
		<b>SUCSFB207/F</b>	<b>SUC207/F</b>																
40	1 7/16	SUCSFB207-23/F	SUC207-23/F	24.8 5575	14.30 3215	165.1 6.500	65.1 2.563	34.9 1.375	57.2 2.250	101.6 4.000	12.7 0.500	17.5 0.688	31.5 1.240	47.7 1.877	49.2 1.937	19 0.748	13.5 0.531	M12 ½	2.1 4.7
	1 ½	SUCSFB208-24/F	SUC208-24/F																
	1 ⅝	SUCSFB208-25/F	SUC208-25/F																
		<b>SUCSFB208/F</b>	<b>SUC208/F</b>																

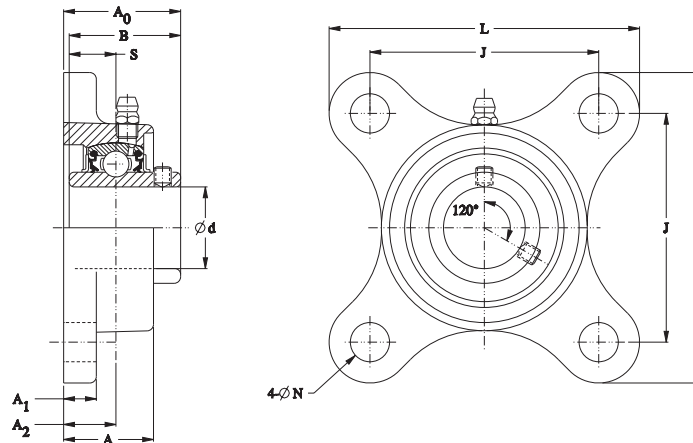
STAINLESS STEEL FOUR-BOLT FLANGED HOUSED UNITS



Shaft Dia. d		Four-Bolt Flange Designation	Bearing Designation	Basic Load Ratings		Dimensions										Bolt Size	Wt.																									
				Dynamic C <sub>r</sub>	Static C <sub>0r</sub>	L	J	A <sub>1</sub>	A	A <sub>0</sub>	S	B	A <sub>2</sub>	N																												
mm	in.			kN lbs.	kN lbs.	mm in.	mm in.	mm in.	mm in.	mm in.	mm in.	mm in.	mm in.	mm in.	mm in.	mm in.	kg lbs.																									
20	¾	SUCSF-204-12/F	SUC204-12/F	10.9	5.35	86	64	10	26.0	33.3	12.7	31.0	15	12	M10	0.5																										
		<b>SUCSF-204/F</b>	<b>SUC204/F</b>	2450	1203	3 ¾	2 ¾ <sup>3</sup> / <sub>64</sub>	1 ½ <sub>2</sub>	1 ½ <sub>2</sub>	1 ¾ <sub>16</sub>	0.500	1.220	1 ½ <sub>2</sub>	1 ½ <sub>2</sub>	¾	1.1																										
25	7/8	SUCSF205-14/F	SUC205-14/F	11.9	6.30	95	70	10	27.5	35.8	14.3	34.1	16	12	M10	0.7																										
	1 5/16	SUCSF205-15/F	SUC205-15/F														2675	1416	3 ¾	2 ¾	1 ½ <sub>2</sub>	1 ¾ <sub>2</sub>	1 1 ½ <sub>2</sub>	0.563	1.343	¾	1.5															
	1	SUCSF205-16/F	SUC205-16/F														16.5	9.05	108	83	10	31.0	40.2	15.9	38.1	18	12	M10	1.0													
	1 ½	SUCSF206-18/F	SUC206-18/F																											3709	2035	4 ¼	3 17/64	1 ½ <sub>2</sub>	1 7/8 <sub>2</sub>	1 1 9/32	0.626	1.500	4 5/64	1 ½ <sub>2</sub>	¾	2.2
30	1 ¾	SUCSF206-19/F	SUC206-19/F	21.8	12.30	117	92	11	34.0	44.4	17.5	42.9	19	14	M12	1.3																										
	1 ¼	SUCSF206-20/F	SUC206-20/F														4901	2765	4 1 9/32	3 ¾	7/16	1 1 1/2 <sub>2</sub>	1 ¾	0.689	1.689	¾	3 5/64	7/16	2.9													
	1 ¼	SUCSF207-20/F	SUC207-20/F														21.8	12.30	117	92	11	34.0	44.4	17.5	42.9	19	14	M12	1.3													
	1 5/16	SUCSF207-21/F	SUC207-21/F																											4901	2765	4 1 9/32	3 ¾	7/16	1 1 1/2 <sub>2</sub>	1 ¾	0.689	1.689	¾	3 5/64	7/16	2.9
	1 ¾	SUCSF207-22/F	SUC207-22/F																											21.8	12.30	117	92	11	34.0	44.4	17.5	42.9	19	14	M12	1.3
1 5/16	SUCSF207-23/F	SUC207-23/F	4901	2765	4 1 9/32	3 ¾	7/16	1 1 1/2 <sub>2</sub>	1 ¾	0.689	1.689	¾	3 5/64	7/16	2.9																											

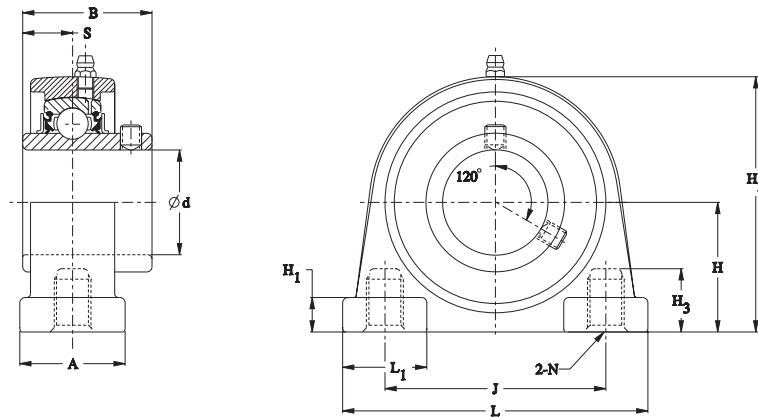
# STAINLESS STEEL HOUSED UNITS WITH STAINLESS STEEL BALL BEARING INSERTS

## STAINLESS STEEL FOUR-BOLT FLANGED HOUSED UNITS



Shaft Dia. d		Four-Bolt Flange Designation	Bearing Designation	Basic Load Ratings		Dimensions									Bolt Size	Wt.
				Dynamic C <sub>r</sub>	Static C <sub>0r</sub>	L	J	A <sub>1</sub>	A	A <sub>0</sub>	S	B	A <sub>2</sub>	N		
mm	in.			kN lbs.	kN lbs.	mm in.	mm in.	mm in.	mm in.	mm in.	mm in.	mm in.	mm in.	mm in.	mm in.	
40	1 ½	SUCSF208-24/F	SUC208-24/F	24.8 5575	14.30 3215	130 5 ½	102 4 ¼	12 ½	36.0 1 ½	51.2 2 ½	19.0 0.748	49.2 1.937	21 ¾	16 ⅝	M14 ½	1.6 3.5
	1 ⅞	SUCSF208-25/F	SUC208-25/F													
		<b>SUCSF208/F</b>	<b>SUC208/F</b>													
45	1 ⅞	SUCSF209-26/F	SUC209-26/F	27.8 6250	16.20 3642	137 5 ½	105 4 ¾	13 ½	38.0 1 ½	52.2 2 ⅞	19.0 0.748	49.2 1.937	22 ⅝	16 ⅝	M14 ½	1.9 4.2
	1 ⅞	SUCSF209-27/F	SUC209-27/F													
	1 ¾	SUCSF209-28/F	SUC209-28/F													
		<b>SUCSF209/F</b>	<b>SUC209/F</b>													
50	1 ⅞	SUCSF210-30/F	SUC210-30/F	29.8 6699	18.60 4181	143 5 ⅝	111 4 ¾	13 ½	40.0 1 ⅞	54.6 2 ⅞	19.0 0.748	51.6 2.031	22 ⅝	16 ⅝	M14 ½	2.2 4.9
	1 ⅞	SUCSF210-31/F	SUC210-31/F													
		<b>SUCSF210/F</b>	<b>SUC210/F</b>													
	2	SUCSF210-32/F	SUC210-32/F													

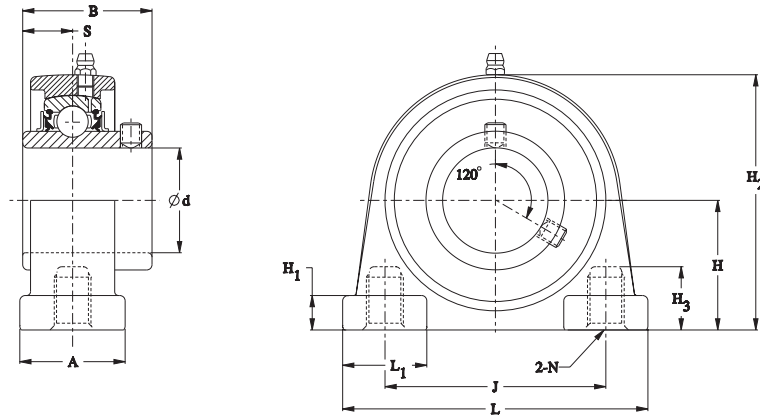
**STAINLESS STEEL TAPPED-BASE HOUSED UNITS**



Shaft Dia. d		Tapped Base Pillow Block Designation	Bearing Designation	Basic Load Ratings		Dimensions											Wt.	
				Dynamic	Static	H	L	A	J	N	H <sub>1</sub>	H <sub>2</sub>	H <sub>3</sub>	L <sub>1</sub>	B	S		
				C <sub>r</sub>	C <sub>0r</sub>	mm in.	mm in.	mm in.	mm in.	mm in.	mm in.	mm in.	mm in.	mm in.	mm in.	mm in.		mm in.
20	3/4	SUCSTB204-12/F	SUC204-12/F	10.9	5.35	30.2	76	30	52	M10	10	60	18	22	31.0	12.7	0.5	
		<b>SUCSTB204/F</b>	<b>SUC204/F</b>	2450	1203	1 3/16	3	1 3/16	2 3/64	1.5	1 3/32	2 3/8	4 5/64	7/8	1.220	0.500	1.1	
25	7/8	SUCSTB205-14/F	SUC205-14/F	11.9	6.30	36.5	84	30	56	M10	12	69	18	24	34.1	14.3	0.6	
	1 1/16	SUCSTB205-15/F	SUC205-15/F															2675
		<b>SUCSTB205/F</b>	<b>SUC205/F</b>															
30	1	SUCSTB205-16/F	SUC205-16/F	16.5	9.05	42.9	94	36	66	M14	12	81	24	28	38.1	15.9	0.9	
	1 1/8	SUCSTB206-18/F	SUC206-18/F															3709
		<b>SUCSTB206/F</b>	<b>SUC206/F</b>															
	1 3/8	SUCSTB206-19/F	SUC206-19/F															
35	1 1/4	SUCSTB206-20/F	SUC206-20/F	21.8	12.30	47.6	110	38	80	M14	13	91	27	30	42.9	17.5	1.3	
	1 1/2	SUCSTB207-20/F	SUC207-20/F															4901
		<b>SUCSTB207/F</b>	<b>SUC207/F</b>															
	1 3/8	SUCSTB207-21/F	SUC207-21/F															
	1 7/8	SUCSTB207-22/F	SUC207-22/F															
	<b>SUCSTB207/F</b>	<b>SUC207/F</b>																
	1 7/16	SUCSTB207-23/F	SUC207-23/F															

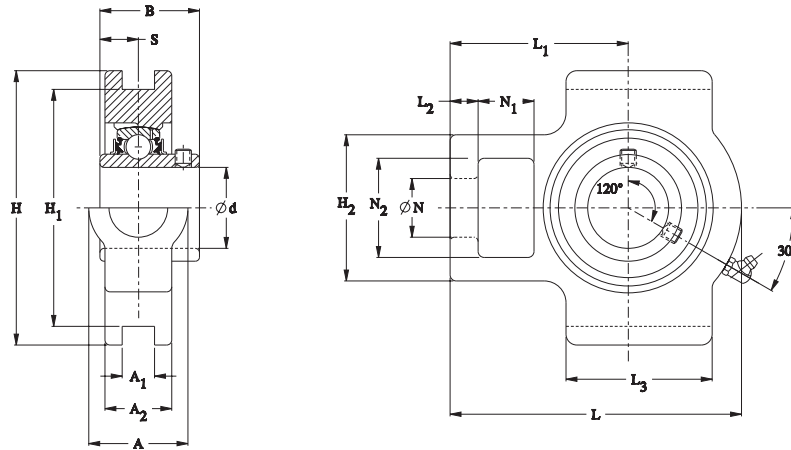
# STAINLESS STEEL HOUSED UNITS WITH STAINLESS STEEL BALL BEARING INSERTS

## STAINLESS STEEL TAPPED-BASE HOUSED UNITS

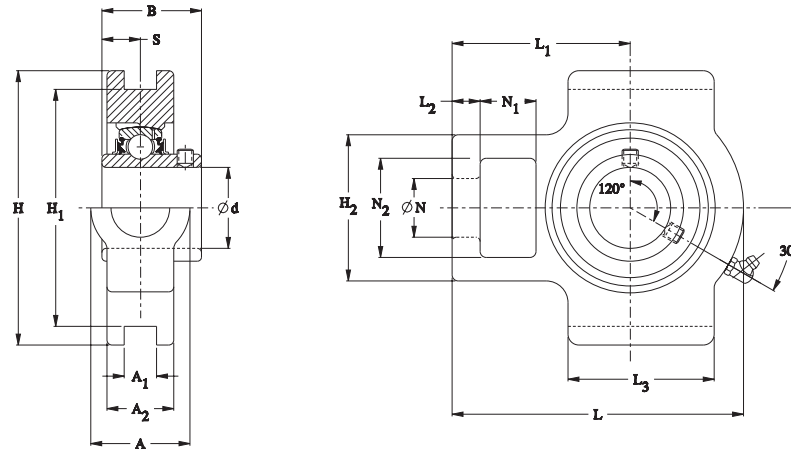


Shaft Dia. d		Tapped Base Pillow Block Designation	Bearing Designation	Basic Load Ratings		Dimensions											Wt.														
				Dynamic	Static	H	L	A	J	N	H <sub>1</sub>	H <sub>2</sub>	H <sub>3</sub>	L <sub>1</sub>	B	S															
				C <sub>r</sub>	C <sub>0r</sub>													kg lbs.													
<b>40</b>	1 ½	SUCSTB208-24/F	SUC208-24/F	24.8	14.30	49.2	116	40	84	M14	13	97	27	32	49.2	19.0	1.6														
	1 ⅝	SUCSTB208-25/F	SUC208-25/F															5575	3215	1 15/16	4 9/16	1 1/16	3 5/16	2.0	½	3 13/16	1 1/16	1 ¼	1.937	0.748	3.5
		<b>SUCSTB208/F</b>	<b>SUC208/F</b>																												
<b>45</b>	1 ⅝	SUCSTB209-26/F	SUC209-26/F	27.8	16.20	54.2	120	40	90	M14	13	104	31	32	49.2	19.0	1.8														
	1 11/16	SUCSTB209-27/F	SUC209-27/F															6250	3642	2 1/8	4 23/32	1 1/16	3 35/64	2.0	½	4 3/32	1 7/32	1 ¼	1.937	0.748	4.0
	1 ¾	SUCSTB209-28/F	SUC209-28/F																												
<b>50</b>	1 ⅞	SUCSTB210-30/F	SUC210-30/F	29.8	18.60	57.2	130	45	94	M16	14	111	31	36	51.6	19.0	2.3														
	1 15/16	SUCSTB210-31/F	SUC210-31/F															6699	4181	2 ¼	5 1/8	1 25/32	3 45/64	2.0	9/16	4 3/8	1 7/32	1 27/64	2.031	0.748	5.1
	2	SUCSTB210-32/F	SUC210-32/F																												

### STAINLESS STEEL TAKE-UP HOUSED UNITS



Shaft Dia. d		Take-Up Unit Designation	Bearing Designation	Basic Load Ratings		Dimensions															Wt.	
				Dynamic C <sub>r</sub>	Static C <sub>0r</sub>	H	H <sub>1</sub>	L <sub>2</sub>	L <sub>1</sub>	A <sub>2</sub>	A	N	L	H <sub>2</sub>	S	B	L <sub>3</sub>	N <sub>1</sub>	N <sub>2</sub>	A <sub>1</sub>		
mm	in.				mm	mm	mm	mm	mm	mm	mm	mm	mm	mm	mm	mm	mm	mm	mm	mm	kg	
				kN lbs.	kN lbs.	in.	in.	in.	in.	in.	in.	in.	in.	in.	in.	in.	in.	in.	in.	in.	in.	lbs.
20	¾	SUCST204-12/F	SUC204-12/F	10.9	5.4	89	76	9	59	23	32	19	89	46	12.7	31.0	44	18	32	12	0.7	
		<b>SUCST204/F</b>	<b>SUC204/F</b>	2450	1203	3 ½	2 63/64	1 ½	2 5/16	2 9/32	1 ¼	¾	3 ½	1 13/16	0.500	1.220	1 23/32	2 3/32	1 ¼	1 5/32	1.5	
25	7/8	SUCST205-14/F	SUC205-14/F	11.9	6.3	89	76	9	60	25	32	19	93	46	14.3	34.1	44	18	32	12	0.8	
	1 5/16	SUCST205-15/F	SUC205-15/F																			2675
	1	SUCST205-16/F	SUC205-16/F	16.5	9.1	102	89	9	67	27	37	22	106	52	15.9	38.1	50	18	37	12	1.1	
	1 1/8	SUCST206-18/F	SUC206-18/F																			3709
30	1 1/4	SUCST206-19/F	SUC206-19/F	21.8	12.3	102	89	11	75	31	37	22	119	56	17.5	42.9	56	18	37	12	1.5	
	1 1/4	SUCST206-20/F	SUC206-20/F																			4901
	1 1/4	SUCST207-20/F	SUC207-20/F	21.8	12.3	102	89	11	75	31	37	22	119	56	17.5	42.9	56	18	37	12	1.5	
	1 5/8	SUCST207-21/F	SUC207-21/F																			4901
35	1 3/8	SUCST207-22/F	SUC207-22/F	21.8	12.3	102	89	11	75	31	37	22	119	56	17.5	42.9	56	18	37	12	1.5	
	1 3/8	SUCST207-22/F	SUC207-22/F																			4901
	1 7/8	SUCST207-23/F	SUC207-23/F	21.8	12.3	102	89	11	75	31	37	22	119	56	17.5	42.9	56	18	37	12	1.5	



Shaft Dia. d	Take-Up Unit Designation	Bearing Designation	Basic Load Ratings		Dimensions															Wt.	
			Dynamic C <sub>r</sub>	Static C <sub>0r</sub>	H	H <sub>1</sub>	L <sub>2</sub>	L <sub>1</sub>	A <sub>2</sub>	A	N	L	H <sub>2</sub>	S	B	L <sub>3</sub>	N <sub>1</sub>	N <sub>2</sub>	A <sub>1</sub>		
mm in.			kN lbs.	kN lbs.	mm in.	mm in.	mm in.	mm in.	mm in.	mm in.	mm in.	mm in.	mm in.	mm in.	mm in.	mm in.	mm in.	mm in.	mm in.	mm in.	kg lbs.
40	1 1/2	SUCST208-24/F	SUC208-24/F	24.8 5575	14.3 3215	114 4 1/2	102 4 1/2	14 %	85 3 1/2	32 1 1/4	49 1 15/16	29 1 1/2	135 5 1/16	74 2 29/32	19.0 0.748	49.2 1.937	64 2 1/2	20 25/32	49 1 15/16	16 5/8	2.0 4.4
	1 5/8	SUCST208-25/F	SUC208-25																		
		<b>SUCST208/F</b>	<b>SUC208/F</b>																		
45	1 5/8	SUCST209-26/F	SUC209-26/F	27.8 6250	16.2 3642	117 4 19/32	102 4 1/2	14 %	85 3 1/2	34 1 11/32	49 1 15/16	29 1 1/2	137 5 13/32	74 2 29/32	19.0 0.748	49.2 1.937	66 2 19/32	20 25/32	49 1 15/16	16 5/8	2.1 4.6
	1 11/16	SUCST209-27/F	SUC209-27/F																		
	1 3/4	SUCST209-28/F	SUC209-28/F																		
		<b>SUCST209/F</b>	<b>SUC209/F</b>																		
50	1 7/8	SUCST210-30/F	SUC210-30/F	29.8 6699	18.6 4181	117 4 19/32	102 4 1/2	14 %	87 3 7/16	35 1 3/8	49 1 15/16	29 1 1/2	143 5 5/8	74 2 29/32	19.0 0.748	51.6 2.031	72 2 27/32	20 25/32	49 1 15/16	16 5/8	2.3 5.1
	1 15/16	SUCST210-31/F	SUC210-31/F																		
	2	SUCST210-32/F	SUC210-32/F																		
		<b>SUCST210/F</b>	<b>SUC210/F</b>																		





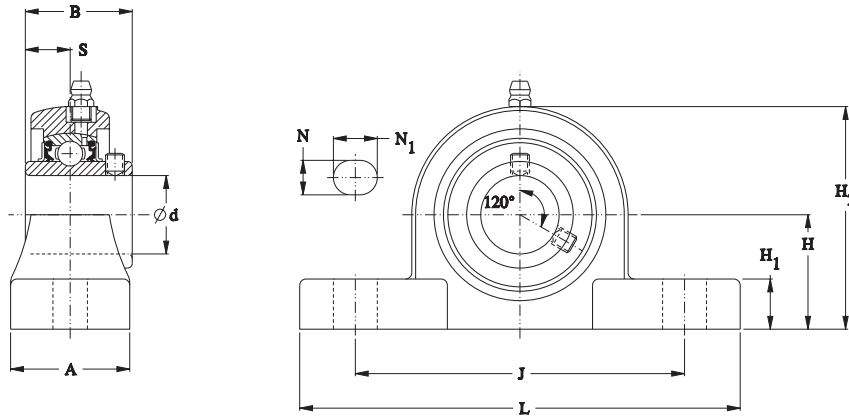


***WHITE POLYMER  
(THERMOPLASTIC) HOUSED  
UNITS WITH STAINLESS STEEL  
BALL BEARING INSERTS***

The following topics are covered within this section:

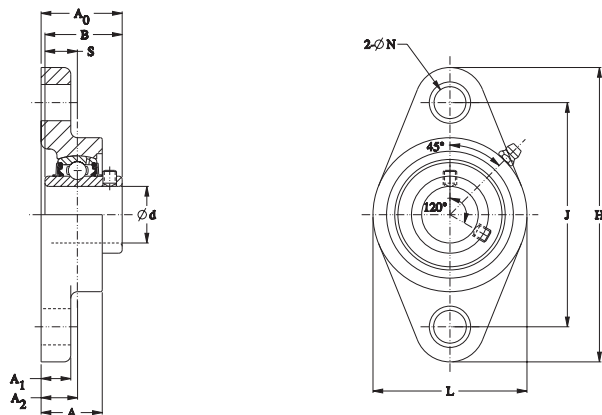
Polymer Two-Bolt Pillow Block Housed Units . . . . .	32
Polymer Two-Bolt Flanged Housed Units . . . . .	34
Polymer Three-Bolt Flanged Housed Units . . . . .	36
Polymer Four-Bolt Flanged Housed Units . . . . .	38



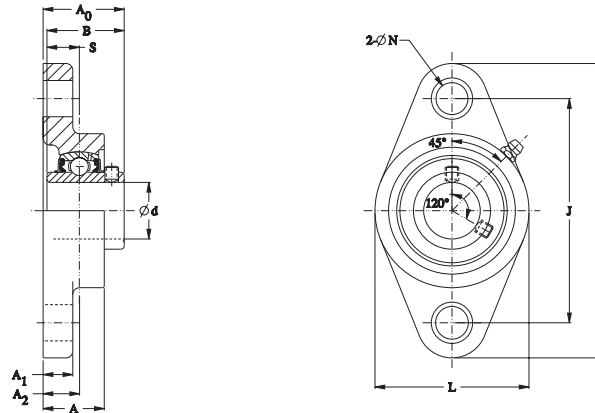


Shaft Dia. d		Pillow Block Designation	Bearing Designation	Basic Load Ratings		Dimensions										Bolt Size	Wt.														
				Dynamic	Static	H	L	A	H <sub>1</sub>	J	H <sub>2</sub>	S	B	N	N <sub>1</sub>																
				C <sub>r</sub>	C <sub>0r</sub>	mm in.	mm in.	mm in.	mm in.	mm in.	mm in.	mm in.	mm in.	mm in.	mm in.			mm in.													
40	1 ½	SUCPLP208-24/F	SUC208-24/F	24.8	14.30	49.2	184.0	54	19.5	137	101.0	19.0	49.2	14	18	M12	1.0														
	1 ¾	SUCPLP208-25/F	SUC208-25/F															5575	3215	1 15/16	7 ¼	2 ½	25/32	5 13/32	3 31/32	0.748	1.937	9/16	23/32	½	2.2
		<b>SUCPLP208/F</b>	<b>SUC208/F</b>																												
45	1 ⅝	SUCPLP209-26/F	SUC209-26/F	27.8	16.20	54.0	192.0	54	23.0	146	106.0	19.0	49.2	17	20	M14	1.1														
	1 7/8	SUCPLP209-27/F	SUC209-27/F															6250	3642	2 ½	7 9/16	2 ½	29/32	5 ¾	4 3/16	0.748	1.937	43/64	25/32	5/8	2.4
	1 ¾	SUCPLP209-28/F	SUC209-28/F																												
50	1 7/8	SUCPLP210-30/F	SUC210-30/F	29.8	18.60	57.2	206.0	60	23.0	159	114.0	19.0	51.6	17	20	M14	1.3														
	1 5/8	SUCPLP210-31/F	SUC210-31/F															6699	4181	2 ¼	8 1/8	2 3/8	29/32	6 ¼	4 ½	0.748	2.036	43/64	25/32	5/8	1.3
	2	SUCPLP210-32/F	SUC210-32/F																												

**POLYMER TWO-BOLT FLANGED HOUSED UNITS**

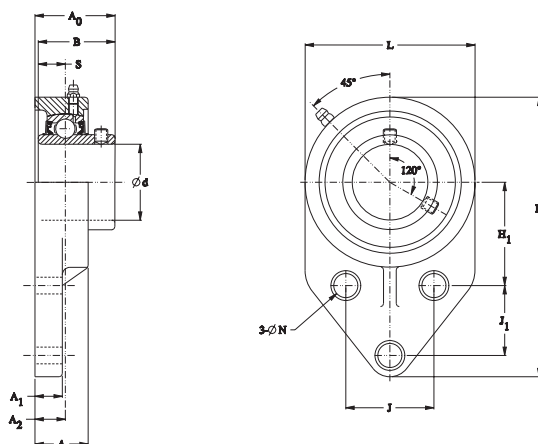


Shaft Dia. d		Two-Bolt Flange Designation	Bearing Designation	Basic Load Ratings		Dimensions										Bolt Size	Wt.														
				Dynamic C <sub>r</sub>	Static C <sub>0r</sub>	H	J	A <sub>1</sub>	A	A <sub>0</sub>	L	A <sub>2</sub>	S	B	N																
mm	in.			kN lbs.	kN lbs.	mm in.	mm in.	mm in.	mm in.	mm in.	mm in.	mm in.	mm in.	mm in.	mm in.	mm in.	mm in.	kg lbs.													
20	¾	SUCPLFL204-12/F	SUC204-12/F	10.9	5.35	113	90.0	13.4	27.0	33.3	65	15	12.7	31.0	11	M8	0.3														
		<b>SUCPLFL204/F</b>	<b>SUC204/F</b>	2450	1203	4 7/16	3 39/64	1 1/32	1 1/16	1 1/16	2 5/16	1 9/32	0.500	1.220	7/16	5/16	0.7														
25	7/8	SUCPLFL205-14/F	SUC205-14/F	11.9	6.30	131	99.0	13.8	28.2	35.8	70	16	14.3	34.1	11	M8	0.3														
	15/16	SUCPLFL205-15/F	SUC205-15/F															2675	1416	5 9/32	3 97/64	1 1/32	1 7/64	1 13/32	2 3/4	5/8	0.563	1.343	7/16	5/16	0.7
		<b>SUCPLFL205/F</b>	<b>SUC205/F</b>																												
30	1	SUCPLFL205-16/F	SUC205-16/F	16.5	9.05	148	117.0	14.3	31.0	40.2	80	18	15.9	38.1	11	M8	0.5														
	1 1/8	SUCPLFL206-18/F	SUC206-18/F															3709	2035	5 13/16	4 39/64	5/16	1 1/32	1 19/32	3 9/32	49/64	0.626	1.500	7/16	5/16	1.1
	1 3/16	SUCPLFL206-19/F	SUC206-19/F																												
	1 1/4	SUCPLFL206-20/F	SUC206-20/F																												
35	1 1/4	SUCPLFL207-20/F	SUC207-20/F	21.8	12.30	164	130.0	15.5	32.7	44.4	90	19	17.5	42.9	13	M10	0.7														
	1 5/16	SUCPLFL207-21/F	SUC207-21/F															4901	2765	6 13/32	5 1/8	5/8	1 1/32	1 3/4	3 17/32	3/4	0.689	1.689	39/64	3/8	1.5
	1 3/8	SUCPLFL207-22/F	SUC207-22/F																												
		<b>SUCPLFL207/F</b>	<b>SUC207/F</b>																												
	1 7/16	SUCPLFL207-23/F	SUC207-23/F																												

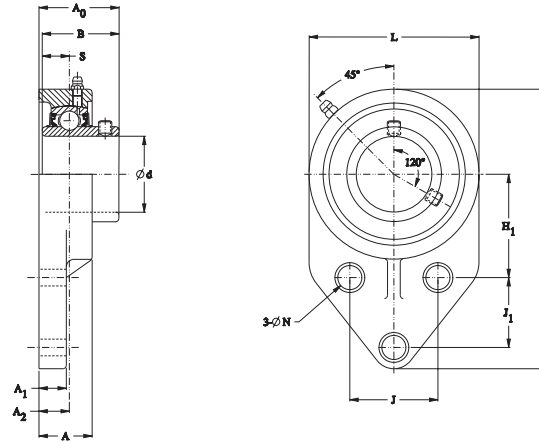


Shaft Dia. d		Two-Bolt Flange Designation	Bearing Designation	Basic Load Ratings		Dimensions										Bolt Size	Wt.
				Dynamic	Static	H	J	A <sub>1</sub>	A	A <sub>0</sub>	L	A <sub>2</sub>	S	B	N		
				C <sub>r</sub>	C <sub>0r</sub>	mm in.	mm in.	mm in.	mm in.	mm in.	mm in.	mm in.	mm in.	mm in.	mm in.		
<b>40</b>	1 ½	SUCPLFL208-24/F	SUC208-24/F	<b>24.8</b>	<b>14.30</b>	<b>176</b>	<b>144.0</b>	<b>16.5</b>	<b>35.2</b>	<b>51.2</b>	<b>100</b>	<b>21</b>	<b>19.0</b>	<b>49.2</b>	<b>14</b>	<b>M12</b>	<b>0.9</b>
	1 ⅞	SUCPLFL208-25/F	SUC208-25/F	5575	3215	6 15/16	5 43/64	2 1/32	1 25/64	2 1/32	3 15/16	53/64	0.748	1.937	35/64	½	2.0
		<b>SUCPLFL208/F</b>	<b>SUC208/F</b>														
<b>45</b>	1 ⅝	SUCPLFL209-26/F	SUC209-26/F	<b>27.8</b>	<b>16.20</b>	<b>189</b>	<b>148.5</b>	<b>21.0</b>	<b>41.0</b>	<b>54.2</b>	<b>108</b>	<b>24</b>	<b>19.0</b>	<b>49.2</b>	<b>17</b>	<b>M14</b>	<b>1.0</b>
	1 11/16	SUCPLFL209-27/F	SUC209-27/F	6250	3642	7 7/16	5 27/32	53/64	1 39/64	2 3/64	4 1/4	61/64	0.748	1.937	43/64	5/8	2.2
	1 ¾	SUCPLFL209-28/F	SUC209-28/F														
		<b>SUCPLFL209/F</b>	<b>SUC209/F</b>														
<b>50</b>	1 7/8	SUCPLFL210-30/F	SUC210-30/F	<b>29.8</b>	<b>18.60</b>	<b>197</b>	<b>157.0</b>	<b>21.0</b>	<b>43.0</b>	<b>57.6</b>	<b>115</b>	<b>25</b>	<b>19.0</b>	<b>51.6</b>	<b>17</b>	<b>M14</b>	<b>1.2</b>
	1 15/16	SUCPLFL210-31/F	SUC210-31/F	6699	4181	7 3/4	6 3/16	53/64	1 11/16	2 17/64	4 17/32	63/64	0.748	2.031	43/64	5/8	2.6
	2	SUCPLFL210-32/F	SUC210-32/F														

**POLYMER THREE-BOLT FLANGED HOUSED UNITS**

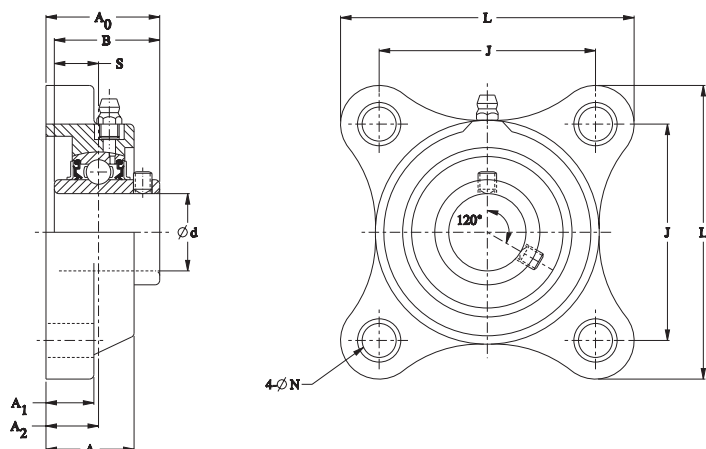


Shaft Dia. d		Three-Bolt Flange Designation	Bearing Designation	Basic Load Ratings		Dimensions												Bolt Size	Wt.																	
				Dynamic C <sub>r</sub>	Static C <sub>0r</sub>	H	H <sub>1</sub>	J <sub>1</sub>	J	L	A	A <sub>2</sub>	A <sub>0</sub>	A <sub>1</sub>	S	B	N																			
mm	in.				mm in.	mm in.	mm in.	mm in.	mm in.	mm in.	mm in.	mm in.	mm in.	mm in.	mm in.	mm in.	mm in.	mm in.	kg lbs.																	
20	¾	SUCPLFB204-12/F	SUC204-12/F	10.9	5.35	108.0	42.9	22.2	38.1	63.5	26.1	15.4	33.7	11.4	12.7	31.0	11	M8	0.3																	
		SUCPLFB204/F	SUC204/F	2450	1203	4 ¼	1 11/16	7/8	1 ½	2 ½	1 ½	39/64	1 5/16	7/16	0.500	1.220	7/16	5/16	0.7																	
25	7/8	SUCPLFB205-14/F	SUC205-14/F	11.9	6.30	121.0	46.0	28.6	41.3	70.0	34.1	21.5	41.3	11.4	14.3	34.1	11	M8	0.3																	
	15/16	SUCPLFB205-15/F	SUC205-15/F																	2675	1416	4 ¾	1 13/16	1 1/8	1 5/8	2 ¾	1 11/32	27/32	1 5/8	7/16	0.563	1.343	7/16	5/16	0.7	
		SUCPLFB205/F	SUC205/F																																	
30	1	SUCPLFB205-16/F	SUC205-16/F	16.5	9.05	138.5	52.4	31.8	47.6	83.0	32.3	19.3	41.5	13.3	15.9	38.1	11	M8	0.5																	
	1 1/8	SUCPLFB206-18/F	SUC206-18/F																	3709	2035	5 29/64	2 1/16	1 1/4	1 7/8	3 1/4	1 9/32	49/64	1 5/8	17/32	0.626	1.500	7/16	5/16	1.1	
		SUCPLFB206/F	SUC206/F																																	
	1 3/16	SUCPLFB206-19/F	SUC206-19/F																																	
	1 ¼	SUCPLFB206-20/F	SUC206-20/F																																	



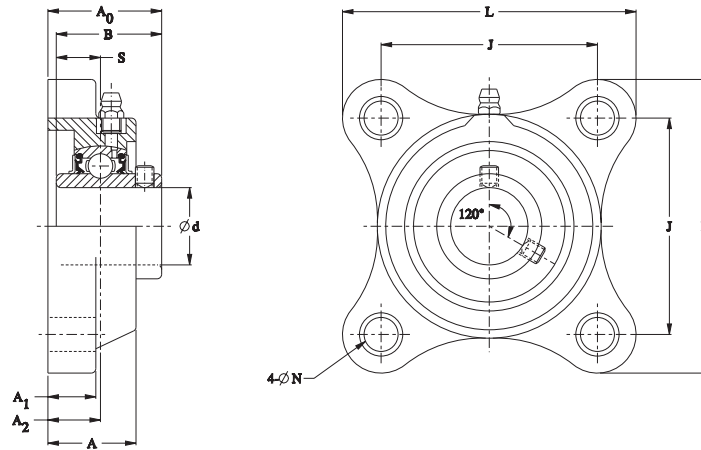
Shaft Dia. d		Three-Bolt Flange Designation	Bearing Designation	Basic Load Ratings		Dimensions											Bolt Size	Wt.		
				Dynamic C <sub>r</sub>	Static C <sub>0r</sub>	H	H <sub>1</sub>	J <sub>1</sub>	J	L	A	A <sub>2</sub>	A <sub>0</sub>	A <sub>1</sub>	S	B			N	
mm	in.			kN lbs.	kN lbs.	mm in.	mm in.	mm in.	mm in.	mm in.	mm in.	mm in.	mm in.	mm in.	mm in.	mm in.	mm in.	mm in.	mm in.	
	1 ¼	SUCPLFB207-20/F	SUC207-20/F																	
	1 ⅝	SUCPLFB207-21/F	SUC207-21/F																	
	1 ¾	SUCPLFB207-22/F	SUC207-22/F	21.8 4901	12.30 2765	157.0 6 ¾	60.3 2 ¾	31.8 1 ¼	50.8 2	95.0 3 ¾	36.5 1 ⅞	21.7 27/32	47.1 1 27/32	16.0 ⅝	17.5 0.689	42.9 1.689	13 ¾	M10 ½	0.8 1.8	
35		SUCPLFB207/F	SUC207/F																	
	1 7/16	SUCPLFB207-23/F	SUC207-23/F																	

**POLYMER FOUR-BOLT FLANGED HOUSED UNITS**



Shaft Dia. d		Four-Bolt Flange Designation	Bearing Designation	Basic Load Ratings		Dimensions								Bolt Size	Wt.														
				Dynamic	Static	L	J	A <sub>1</sub>	A	A <sub>0</sub>	S	B	A <sub>2</sub>			N													
				C <sub>r</sub>	C <sub>0r</sub>	mm	mm	mm	mm	mm	mm	mm	mm			mm	mm												
20	3/4	SUCPLF204-12/F	SUC204-12/F	10.9	5.35	86	63.5	13.4	28.5	36.3	12.7	31.0	18.0	11	M8	0.3													
		<b>SUCPLF204/F</b>	<b>SUC204/F</b>	2450	1203	3 3/8	2 1/2	1 7/32	1 1/8	1 1/16	0.500	1.220	4 5/64	7/16	5/16	0.7													
25	7/8	SUCPLF205-14/F	SUC205-14/F	11.9	6.30	95	70.0	15.5	29.2	36.8	14.3	34.1	17.0	11	M8	0.4													
	1 5/16	SUCPLF205-15/F	SUC205-15/F														2675	1416	3 3/4	2 3/4	5/8	1 1/2	1 1/16	0.563	1.343	4 3/64	7/16	5/16	0.9
		<b>SUCPLF205/F</b>	<b>SUC205/F</b>																										
30	1	SUCPLF205-16/F	SUC205-16/F	16.5	9.05	107	83.0	14.5	32.2	41.4	15.9	38.1	19.2	11	M8	0.5													
	1 1/8	SUCPLF206-18/F	SUC206-18/F														3709	2035	4 7/32	3 17/64	9/16	1 17/64	1 1/8	0.626	1.500	3/4	7/16	5/16	1.1
	1 3/16	SUCPLF206-19/F	SUC206-19/F																										
		<b>SUCPLF206/F</b>	<b>SUC206/F</b>																										
35	1 1/4	SUCPLF206-20/F	SUC206-20/F	21.8	12.30	118	92.0	15.5	35.2	46.9	17.5	42.9	21.5	13	M10	0.7													
	1 1/4	SUCPLF207-20/F	SUC207-20/F														4901	2765	4 27/32	3 3/8	5/8	1 25/64	1 27/32	0.689	1.689	27/32	33/64	3/8	1.5
	1 5/16	SUCPLF207-21/F	SUC207-21/F																										
	1 3/8	SUCPLF207-22/F	SUC207-22/F																										
		<b>SUCPLF207/F</b>	<b>SUC207/F</b>																										
	1 7/16	SUCPLF207-23/F	SUC207-23/F																										





Shaft Dia. d		Four-Bolt Flange Designation	Bearing Designation	Basic Load Ratings		Dimensions								Bolt Size	Wt.														
				Dynamic	Static	L	J	A <sub>1</sub>	A	A <sub>0</sub>	S	B	A <sub>2</sub>			N													
				C <sub>r</sub>	C <sub>0r</sub>	mm	mm	mm	mm	mm	mm	mm	mm			mm	mm												
mm	in.			kN	kN	mm	mm	mm	mm	mm	mm	mm	mm	mm	mm	kg													
	1 ½	SUCPLF208-24/F	SUC208-24/F	<b>24.8</b>	<b>14.30</b>	<b>130</b>	<b>102.0</b>	<b>17.0</b>	<b>37.2</b>	<b>53.2</b>	<b>19.0</b>	<b>49.2</b>	<b>23.0</b>	<b>14</b>	<b>M12</b>	<b>0.9</b>													
	1 ¾	SUCPLF208-25/F	SUC208-25/F														5575	3214	5 ½	4 ¾	2 ½	1 ½	2 ¾	0.748	1.937	2 ¾	3 ¾	½	2.0
<b>40</b>		<b>SUCPLF208/F</b>	<b>SUC208/F</b>																										
	1 ⅝	SUCPLF209-26/F	SUC209-26/F	<b>27.8</b>	<b>16.20</b>	<b>137</b>	<b>105.0</b>	<b>19.0</b>	<b>41.0</b>	<b>54.2</b>	<b>19.0</b>	<b>49.2</b>	<b>24.0</b>	<b>17</b>	<b>M14</b>	<b>1.1</b>													
	1 ¾	SUCPLF209-27/F	SUC209-27/F														6250	3642	5 ½	4 ¾	¾	1 ¾	2 ¾	0.748	1.937	6 ¾	4 ¾	¾	2.4
<b>45</b>		<b>SUCPLF209/F</b>	<b>SUC209/F</b>																										
	1 ⅞	SUCPLF210-30/F	SUC210-30/F	<b>29.8</b>	<b>18.60</b>	<b>143</b>	<b>111.0</b>	<b>21.0</b>	<b>43.0</b>	<b>57.6</b>	<b>19.0</b>	<b>51.6</b>	<b>25.0</b>	<b>17</b>	<b>M14</b>	<b>1.3</b>													
	1 ¾	SUCPLF210-31/F	SUC210-31/F														6699	4181	5 ¾	4 ¾	5 ¾	1 ¾	2 ¾	0.748	2.031	6 ¾	4 ¾	¾	2.9
<b>50</b>		<b>SUCPLF210/F</b>	<b>SUC210/F</b>																										
	2	SUCPLF210-32/F	SUC210-32/F																										



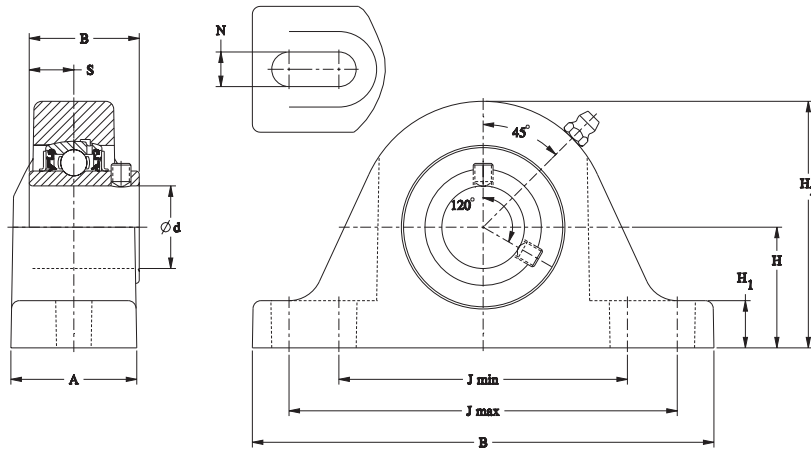


***HYGIENIC BLUE POLYMER  
(THERMOSET) HOUSED UNITS  
WITH STAINLESS STEEL BALL  
BEARING INSERTS***

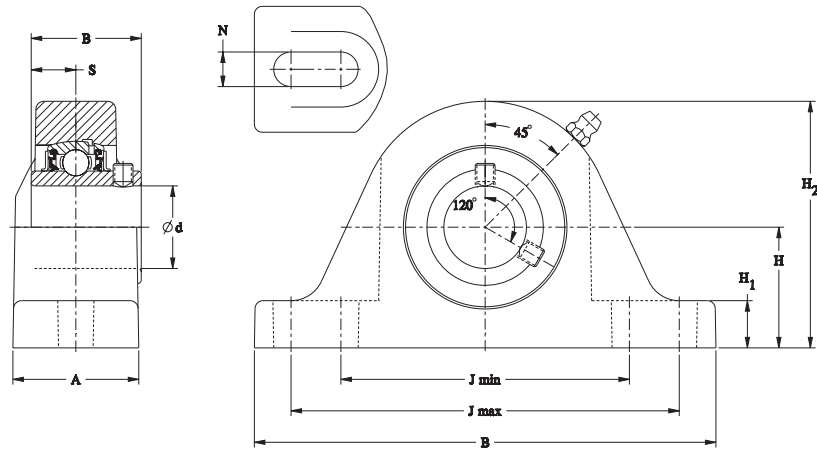
The following topics are covered within this section:

Polymer Two-Bolt Pillow Block Housed Units . . . . .	42
Polymer Two-Bolt Flanged Housed Units . . . . .	44
Polymer Three-Bolt Flanged Housed Units . . . . .	46
Polymer Four-Bolt Flanged Housed Units . . . . .	48
Polymer Tapped-Base (Imperial Thread) Housed Units . . . . .	50
Polymer Tapped-Base (Metric Thread) Housed Units. . . . .	52
Polymer Take-Up Housed Units. . . . .	54

**POLYMER TWO-BOLT PILLOW BLOCK HOUSED UNITS**

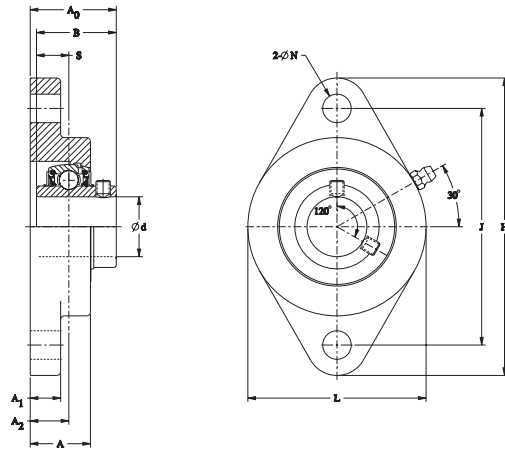


Shaft Dia. d		Pillow Block Designation	Bearing Designation	Basic Load Ratings		Dimensions										Bolt Size	Wt.																												
				Dynamic	Static	H	L	A	H <sup>1</sup>	J min	J max	H <sub>2</sub>	B	S	N																														
				C <sub>r</sub>	C <sub>0r</sub>	mm in.	mm in.	mm in.	mm in.	mm in.	mm in.	mm in.	mm in.	mm in.	mm in.			mm in.																											
20	3/4	SUCBP204-12/F	SUC204-12/F	10.9	5.4	33.3	133.4	35.1	12.7	82.6	111.3	68.3	31	12.7	10.5	M10	0.3																												
		SUCBP204/F	SUC204/F	2450	1203	1.313	5.250	1.376	0.500	3.250	4.375	2.689	1.220	0.500	0.413	3/8	0.7																												
25	7/8	SUCBP205-14/F	SUC205-14/F	11.9	6.3	36.6	139.7	38.1	14.2	87.4	117.6	74.6	34.1	14.3	10.5	M10	0.4																												
	15/16	SUCBP205-15/F	SUC205-15/F															2675	1416	1.438	5.500	1.500	0.563	3.438	4.625	2.937	1.343	0.563	0.412	3/8	0.9														
	1	SUCBP205-16/F	SUC205-16/F															16.5	9.1	42.9	158.8	44.5	17.5	104.9	130.3	85.9	38.1	15.9	13.5	M12	0.6														
	1 1/8	SUCBP206-18/F	SUC206-18/F																													3709	2035	1.688	6.248	1.750	0.688	4.126	5.125	3.376	1.500	0.626	0.531	1/2	1.3
30	1 1/4	SUCBP206-19/F	SUC206-19/F	21.8	12.3	47.8	166.6	44.5	17.5	119.1	138.2	98.6	42.9	17.5	13.5	M12	0.9																												
	1 1/2	SUCBP206-20/F	SUC206-20/F															4901	2765	1.875	6.564	1.752	0.688	4.688	5.438	3.875	1.689	0.689	0.531	1/2	1.9														
	1 3/4	SUCBP207-20/F	SUC207-20/F															21.8	12.3	47.8	166.6	44.5	17.5	119.1	138.2	98.6	42.9	17.5	13.5	M12	0.9														
	1 5/8	SUCBP207-21/F	SUC207-21/F																													4901	2765	1.875	6.564	1.752	0.688	4.688	5.438	3.875	1.689	0.689	0.531	1/2	1.9
	1 3/8	SUCBP207-22/F	SUC207-22/F																													21.8	12.3	47.8	166.6	44.5	17.5	119.1	138.2	98.6	42.9	17.5	13.5	M12	0.9
1 7/8	SUCBP207-23/F	SUC207-23/F	4901	2765	1.875	6.564	1.752	0.688	4.688	5.438	3.875	1.689	0.689	0.531	1/2	1.9																													

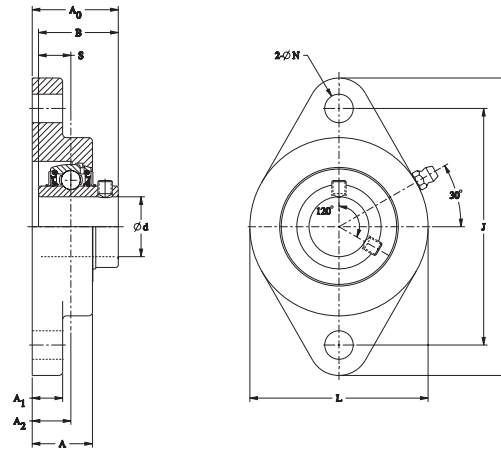


Shaft Dia. d		Pillow Block Designation	Bearing Designation	Basic Load Ratings		Dimensions										Bolt Size	Wt.	
				Dynamic C <sub>r</sub>	Static C <sub>0r</sub>	H	L	A	H <sup>1</sup>	J min	J max	H <sub>2</sub>	B	S	N			
mm	in.				mm in.	mm in.	mm in.	mm in.	mm in.	mm in.	mm in.	mm in.	mm in.	mm in.	mm in.	mm in.	mm in.	kg lbs
40	1 ½	SUCBP208-24/F	SUC208-24/F	24.8 5575	14.3 3215	54.1 2.130	184.2 7.252	49.3 1.938	19.1 0.750	127 5.000	155.7 6.126	109.5 4.310	49.2 1.937	19 0.748	13.5 0.531	M12 ½	1.1 2.4	
	1 ⅝	SUCBP208-25/F	SUC208-25/F															
		<b>SUCBP208/F</b>	<b>SUC208/F</b>															
45	1 ⅝	SUCBP209-26/F	SUC209-26/F	27.8 6250	16.2 3642	54.1 2.125	189 7.438	50.8 2.000	19.1 0.752	134.9 5.313	160.3 6.311	111.3 4.380	49.2 1.937	19 0.748	13.5 0.531	M12 ½	1.2 2.6	
	1 11/16	SUCBP209-27/F	SUC209-27/F															
	1 ¾	SUCBP209-28/F	SUC209-28/F															
50	1 7/8	SUCBP210-30/F	SUC210-30/F	29.8 6699	18.6 4181	57.2 2.252	206.5 8.125	57.2 2.252	19.1 0.752	149.2 5.875	171.5 6.752	117.6 4.625	51.6 2.031	19 0.748	16.7 0.656	M16 ¾	1.5 3.3	
	1 15/16	SUCBP210-31/F	SUC210-31/F															
	2	SUCBP210-32/F	SUC210-32/F															

**POLYMER TWO-BOLT FLANGED HOUSED UNITS**

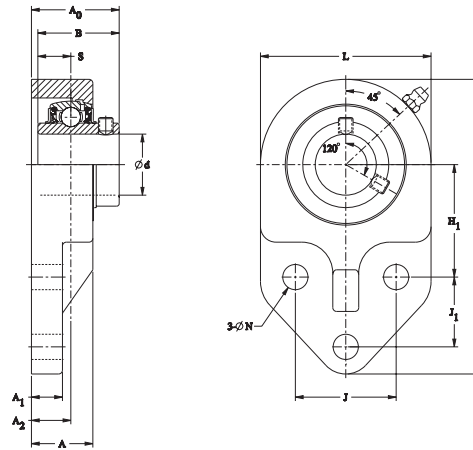


Shaft Dia. d		Two-Bolt Flange Designation	Bearing Designation	Basic Load Ratings		Dimensions										Bolt Size	Wt.														
				Dynamic C <sub>r</sub>	Static C <sub>0r</sub>	H	J	A <sub>1</sub>	A	A <sub>0</sub>	L	A <sub>2</sub>	B	S	N																
mm	in.			kN lbs	kN lbs	mm in.	mm in.	mm in.	mm in.	mm in.	mm in.	mm in.	mm in.	mm in.	mm in.	mm in.	mm in.	kg lbs													
20	¾	SUCBFL204-12/F	SUC204-12/F	10.9	5.4	112	89.7	11.2	24.1	33.4	68.3	15.1	31	12.7	10.3	M10	0.3														
		<b>SUCBFL204/F</b>	<b>SUC204/F</b>	2450	1203	4.407	3.532	0.438	0.950	1.315	2.690	0.594	1.220	0.500	0.406	¾	0.6														
25	7/8	SUCBFL205-14/F	SUC205-14/F	11.9	6.3	121.2	98.8	12.7	25.1	36.4	74.4	16.6	34.1	14.3	11.9	M10	0.3														
	1 5/16	SUCBFL205-15/F	SUC205-15/F															2675	1416	4.770	3.890	0.500	0.990	1.433	2.930	0.654	1.343	0.563	0.469	7/16	0.7
		<b>SUCBFL205/F</b>	<b>SUC205/F</b>																												
30	1	SUCBFL205-16/F	SUC205-16/F	16.5	9.1	145.3	116.7	12.7	27.2	38.9	92.1	16.7	38.1	15.9	11.9	M10	0.5														
	1 1/8	SUCBFL206-18/F	SUC206-18/F															3709	2035	5.720	4.594	0.500	1.067	1.531	3.625	0.657	1.500	0.626	0.469	7/16	1.1
	1 3/8	SUCBFL206-19/F	SUC206-19/F																												
		<b>SUCBFL206/F</b>	<b>SUC206/F</b>																												
35	1 1/4	SUCBFL206-20/F	SUC206-20/F	21.8	12.3	158.8	130	14.2	31	45.5	101.6	20.1	42.9	17.5	13.5	M12	0.7														
	1 1/4	SUCBFL207-20/F	SUC207-20/F															4901	2765	6.250	5.124	0.563	1.223	1.791	4.000	0.791	1.689	0.689	0.531	½	1.6
	1 5/8	SUCBFL207-21/F	SUC207-21/F																												
	1 3/8	SUCBFL207-22/F	SUC207-22/F																												
		<b>SUCBFL207/F</b>	<b>SUC207/F</b>																												
	1 7/8	SUCBFL207-23/F	SUC207-23/F																												



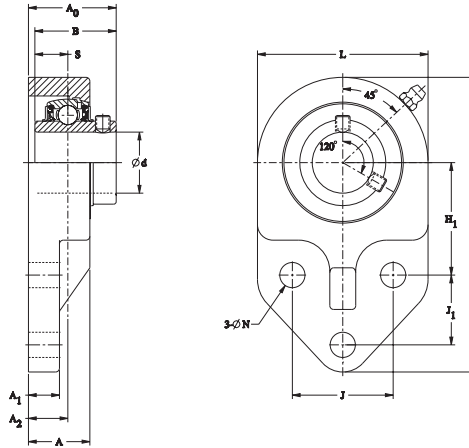
Shaft Dia. d		Two-Bolt Flange Designation	Bearing Designation	Basic Load Ratings		Dimensions										Bolt Size	Wt.
				Dynamic	Static	H	J	A <sub>1</sub>	A	A <sub>0</sub>	L	A <sub>2</sub>	B	S	N		
				C <sub>r</sub>	C <sub>0r</sub>	mm in.	mm in.	mm in.	mm in.	mm in.	mm in.	mm in.	mm in.	mm in.	mm in.		
40	1 ½	SUCBFL208-24/F	SUC208-24/F	24.8 5575	14.3 3215	172.2 6.781	143.8 5.656	14.2 0.563	31.5 1.240	49.7 1.957	115.8 4.560	19.5 0.768	49.2 1.937	19 0.748	13.5 0.531	M12 ½	1.0 2.1
	1 ⅝	SUCBFL208-25/F	SUC208-25/F														
		<b>SUCBFL208/F</b>	<b>SUC208/F</b>														
45	1 ⅝	SUCBFL209-26/F	SUC209-26/F	27.8 6250	16.2 3642	177 6.969	148.3 5.844	16 0.625	31.5 1.240	49.6 1.953	120.4 4.740	19.4 0.764	49.2 1.937	19 0.748	13.5 0.531	M12 ½	1.0 2.3
	1 ⅞	SUCBFL209-27/F	SUC209-27/F														
		<b>SUCBFL209/F</b>	<b>SUC209/F</b>														
50	1 ¾	SUCBFL210-30/F	SUC210-30/F	29.8 6699	18.6 4181	185.7 7.313	157.2 6.188	16 0.625	31.5 1.240	52.2 2.055	128.5 5.060	19.6 0.772	51.6 2.031	19 0.748	13.5 0.531	M12 ½	1.2 2.6
	1 ⅞	SUCBFL210-31/F	SUC210-31/F														
	2	SUCBFL210-32/F	SUC210-32/F														

**POLYMER THREE-BOLT FLANGED HOUSED UNITS**



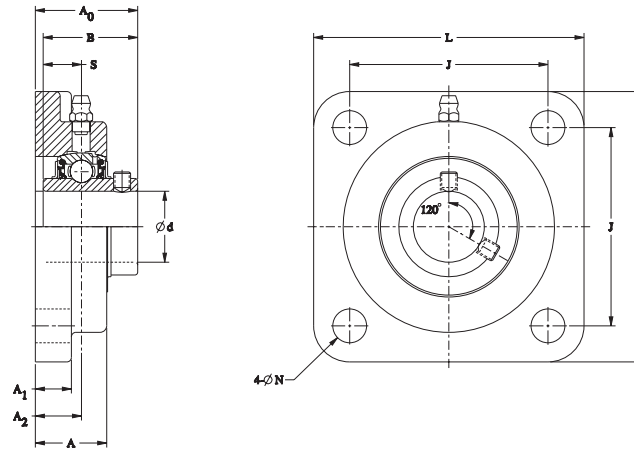
Shaft Dia. d		Three-Bolt Flange Designation	Bearing Designation	Basic Load Ratings		Dimensions											Bolt Size	Wt.																	
				Dynamic C <sub>r</sub>	Static C <sub>0r</sub>	H	H <sub>1</sub>	J <sub>1</sub>	J	L	A	A <sub>2</sub>	A <sub>0</sub>	A <sub>1</sub>	B	S			N																
mm	in.				mm in.	mm in.	mm in.	mm in.	mm in.	mm in.	mm in.	mm in.	mm in.	mm in.	mm in.	mm in.	mm in.	mm in.	kg lbs																
20	¾	SUCFB204-12/F	SUC204-12/F	<b>10.9</b>	<b>5.4</b>	<b>110.2</b>	<b>42.7</b>	<b>22.4</b>	<b>38.1</b>	<b>65</b>	<b>24.1</b>	<b>15.1</b>	<b>33.4</b>	<b>11.1</b>	<b>31</b>	<b>12.7</b>	<b>10.3</b>	<b>M10</b>	<b>0.3</b>																
		<b>SUCFB204/F</b>	<b>SUC204/F</b>	2450	1203	4.340	1.680	0.875	1.500	2.560	0.950	0.594	1.315	0.438	1.220	0.500	0.406	¾	0.6																
25	⅞	SUCFB205-14/F	SUC205-14/F	<b>11.9</b>	<b>6.3</b>	<b>120.7</b>	<b>46</b>	<b>28.4</b>	<b>41.4</b>	<b>69.9</b>	<b>25.1</b>	<b>16.1</b>	<b>35.9</b>	<b>12.7</b>	<b>34.1</b>	<b>14.3</b>	<b>10.3</b>	<b>M10</b>	<b>0.4</b>																
	1⅙	SUCFB205-15/F	SUC205-15/F																	2675	1416	4.750	1.813	1.120	1.625	2.750	0.990	0.634	1.413	0.500	1.343	0.563	0.406	¾	0.8
		<b>SUCFB205/F</b>	<b>SUC205/F</b>																																
30	1	SUCFB205-16/F	SUC205-16/F	<b>16.5</b>	<b>9.1</b>	<b>138.2</b>	<b>52.3</b>	<b>31.8</b>	<b>47.8</b>	<b>82.6</b>	<b>27.1</b>	<b>16.7</b>	<b>38.9</b>	<b>12.7</b>	<b>38.1</b>	<b>15.9</b>	<b>10.3</b>	<b>M10</b>	<b>0.5</b>																
	1⅝	SUCFB206-18/F	SUC206-18/F																	3709	2035	5.435	2.060	1.253	1.875	3.250	1.067	0.657	1.531	0.500	1.500	0.626	0.406	¾	1.2
		<b>SUCFB206/F</b>	<b>SUC206/F</b>																																
35	1⅞	SUCFB206-19/F	SUC206-19/F	<b>21.8</b>	<b>12.3</b>	<b>157.2</b>	<b>60.5</b>	<b>31.8</b>	<b>50.8</b>	<b>96.8</b>	<b>31.1</b>	<b>20.1</b>	<b>45.5</b>	<b>14.3</b>	<b>42.9</b>	<b>17.5</b>	<b>13.5</b>	<b>M12</b>	<b>0.8</b>																
	1¾	SUCFB206-20/F	SUC206-20/F																	4901	2765	6.188	2.375	1.250	2.000	3.810	1.223	0.791	1.791	0.563	1.689	0.689	0.531	½	1.7
	1¼	SUCFB207-20/F	SUC207-20/F																																
		<b>SUCFB207/F</b>	<b>SUC207/F</b>																																
35	1⅞	SUCFB207-21/F	SUC207-21/F	<b>21.8</b>	<b>12.3</b>	<b>157.2</b>	<b>60.5</b>	<b>31.8</b>	<b>50.8</b>	<b>96.8</b>	<b>31.1</b>	<b>20.1</b>	<b>45.5</b>	<b>14.3</b>	<b>42.9</b>	<b>17.5</b>	<b>13.5</b>	<b>M12</b>	<b>0.8</b>																
	1⅞	SUCFB207-22/F	SUC207-22/F																	4901	2765	6.188	2.375	1.250	2.000	3.810	1.223	0.791	1.791	0.563	1.689	0.689	0.531	½	1.7
	1⅞	SUCFB207-23/F	SUC207-23/F																																



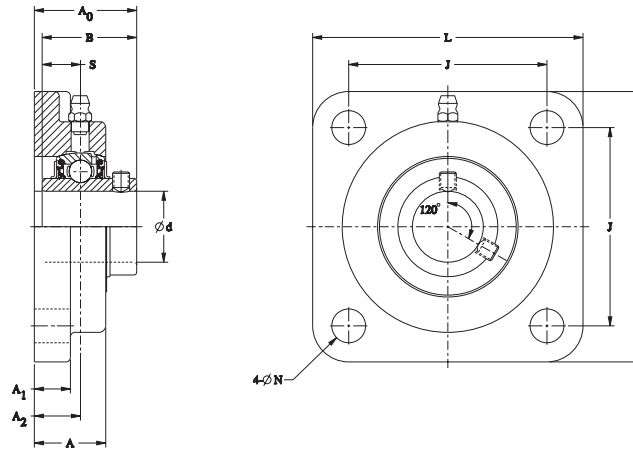


Shaft Dia. d		Three-Bolt Flange Designation	Bearing Designation	Basic Load Ratings		Dimensions											Bolt Size	Wt.		
				Dynamic	Static	H	H <sub>1</sub>	J <sub>1</sub>	J	L	A	A <sub>2</sub>	A <sub>0</sub>	A <sub>1</sub>	B	S			N	
				C <sub>r</sub>	C <sub>0r</sub>	mm	mm	mm	mm	mm	mm	mm	mm	mm	mm	mm			mm	mm
mm	in.			kN lbs	kN lbs	mm in.	mm in.	mm in.	mm in.	mm in.	mm in.	mm in.	mm in.	mm in.	mm in.	mm in.	mm in.	mm in.	mm in.	kg lbs
40	1 ½	SUCBFB208-24/F	SUC208-24/F	24.8 5575	14.3 3215	170.7 6.719	65 2.563	35.1 1.375	57.2 2.250	108 4.250	31.5 1.240	19.5 0.768	49.7 1.957	14.3 0.563	49.2 1.937	19 0.748	13.5 0.531	M12 ½	1.0 2.1	
	1 ⅞	SUCBFB208-25/F	SUC208-25/F																	
		<b>SUCBFB208/F</b>	<b>SUC208/F</b>																	
45	1 ⅝	SUCBFB209-26/F	SUC209-26/F	27.8 6250	16.2 3642	182.6 7.192	69.9 2.750	38.1 1.500	63.5 2.500	115.8 4.560	31.5 1.240	19.4 0.764	49.6 1.953	15.9 0.625	49.2 1.937	19 0.748	13.5 0.531	M12 ½	1.1 2.4	
	1 ⅞	SUCBFB209-27/F	SUC209-27/F																	
	1 ¾	SUCBFB209-28/F	SUC209-28/F																	
		<b>SUCBFB209/F</b>	<b>SUC209/F</b>																	
50	1 ⅞	SUCBFB210-30/F	SUC210-30/F	29.8 6699	18.6 4181	193.8 7.626	74.7 2.938	41.4 1.625	69.9 2.750	124 4.880	31.5 1.240	19.6 0.772	52.2 2.055	15.9 0.625	51.6 2.031	19 0.748	13.5 0.531	M12 ½	1.2 2.7	
	1 ¾	SUCBFB210-31/F	SUC210-31/F																	
	2	SUCBFB210-32/F	SUC210-32/F																	

**POLYMER FOUR-BOLT FLANGED HOUSED UNITS**

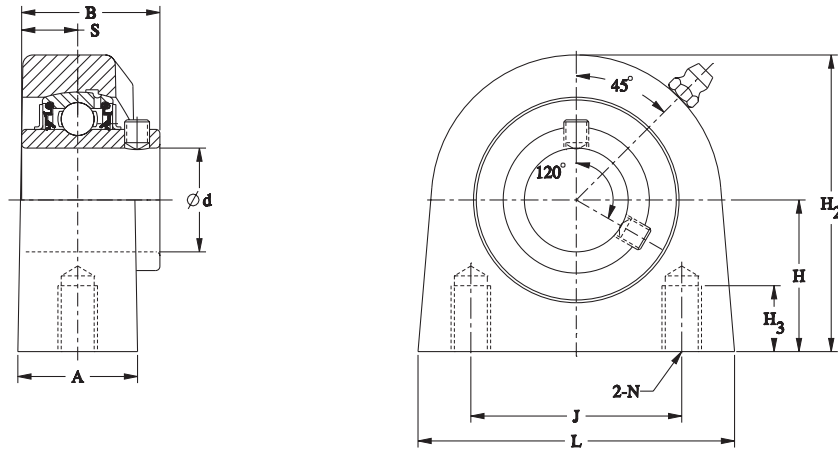


Shaft Dia. d		Four-Bolt Flange Designation	Bearing Designation	Basic Load Ratings		Dimensions										Bolt Size	Wt.
				Dynamic C <sub>r</sub>	Static C <sub>0r</sub>	L	J	A	A <sub>1</sub>	A <sub>2</sub>	A <sub>0</sub>	B	S	N			
mm	in.			kN lbs	kN lbs	mm in.	mm in.	mm in.	mm in.	mm in.	mm in.	mm in.	mm in.	mm in.	mm in.	mm in.	
20	¾	SUCBF204-12/F	SUC204-12/F	10.9 2450	5.4 1203	85.9 3.375	63.5 2.500	24.1 0.950	11.2 0.438	15.1 0.594	33.4 1.315	31 1.220	12.7 0.500	10.3 0.406	M10 ¾	0.3 0.7	
		SUCBF204/F	SUC204/F														
25	7/8	SUCBF205-14/F	SUC205-14/F	11.9 2675	6.3 1416	95.3 3.750	69.9 2.750	25.1 0.990	12.7 0.500	16.1 0.634	35.9 1.413	34.1 1.343	14.3 0.563	11.9 0.469	M10 ¾	0.4 0.9	
	15/16	SUCBF205-15/F	SUC205-15/F														
		SUCBF205/F	SUC205/F														
30	1	SUCBF205-16/F	SUC205-16/F	16.5 3709	9.1 2035	108 4.250	82.6 3.250	27.2 1.067	12.7 0.500	16.7 0.657	38.9 1.531	38.1 1.500	15.9 0.626	10.7 0.422	M10 ¾	0.6 1.3	
	1 1/8	SUCBF206-18/F	SUC206-18/F														
		SUCBF206/F	SUC206/F														
35	1 1/16	SUCBF206-19/F	SUC206-19/F	21.8 4901	12.3 2765	120.7 4.753	92.2 3.625	31 1.223	14.2 0.563	20.1 0.791	45.5 1.791	42.9 1.689	17.5 0.689	13.5 0.531	M12 ½	0.8 1.8	
	1 1/4	SUCBF206-20/F	SUC206-20/F														
	1 1/4	SUCBF207-20/F	SUC207-20/F														
	1 5/16	SUCBF207-21/F	SUC207-21/F														
	1 3/8	SUCBF207-22/F	SUC207-22/F														
	SUCBF207/F	SUC207/F															
	1 7/16	SUCBF207-23/F	SUC207-23/F														

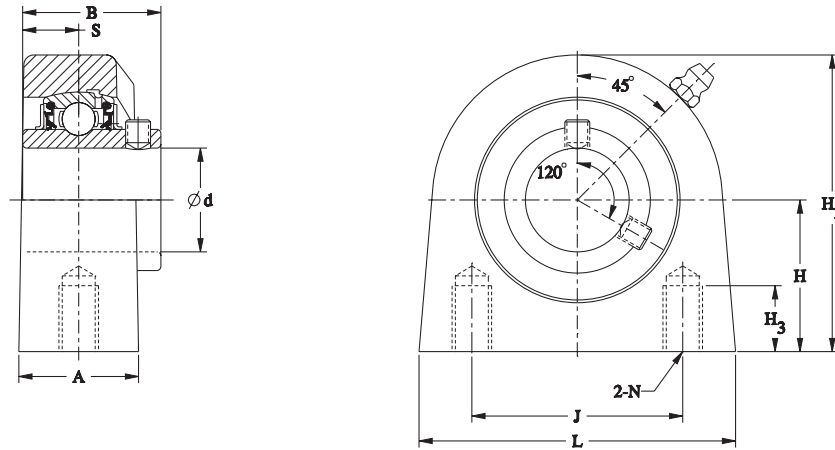


Shaft Dia. d		Four-Bolt Flange Designation	Bearing Designation	Basic Load Ratings		Dimensions								Bolt Size	Wt.		
				Dynamic C <sub>r</sub>	Static C <sub>0r</sub>	L	J	A	A <sub>1</sub>	A <sub>2</sub>	A <sub>0</sub>	B	S			N	
mm	in.				mm	mm	mm	mm	mm	mm	mm	mm	mm	mm	mm	kg	lbs
40	1 ½	SUCBF208-24/F	SUC208-24/F	24.8 5575	14.3 3215	130.3 5.125	101.6 4.000	31.5 1.240	14.2 0.563	19.5 0.768	49.7 1.957	49.2 1.937	19 0.748	13.5 0.531	M12 ½	1.0 2.1	
	1 ⅝	SUCBF208-25/F	SUC208-25/F														
		<b>SUCBF208/F</b>	<b>SUC208/F</b>														
45	1 ⅞	SUCBF209-26/F	SUC209-26/F	27.8 6250	16.2 3642	133.4 5.250	104.9 4.125	31.5 1.240	16 0.625	19.4 0.764	49.6 1.953	49.2 1.937	19 0.748	13.5 0.531	M12 ½	1.1 2.5	
	1 11/16	SUCBF209-27/F	SUC209-27/F														
	1 ¾	SUCBF209-28/F	SUC209-28/F														
50	1 7/8	SUCBF210-30/F	SUC210-30/F	29.8 6699	18.6 4181	139.7 5.500	111.3 4.375	31.5 1.240	16 0.625	19.6 0.772	52.2 2.055	51.6 2.031	19 0.748	13.5 0.531	M12 ½	1.3 2.8	
	1 15/16	SUCBF210-31/F	SUC210-31/F														
	2	SUCBF210-32/F	SUC210-32/F														

**POLYMER TAPPED-BASE (IMPERIAL THREAD) HOUSED UNITS**

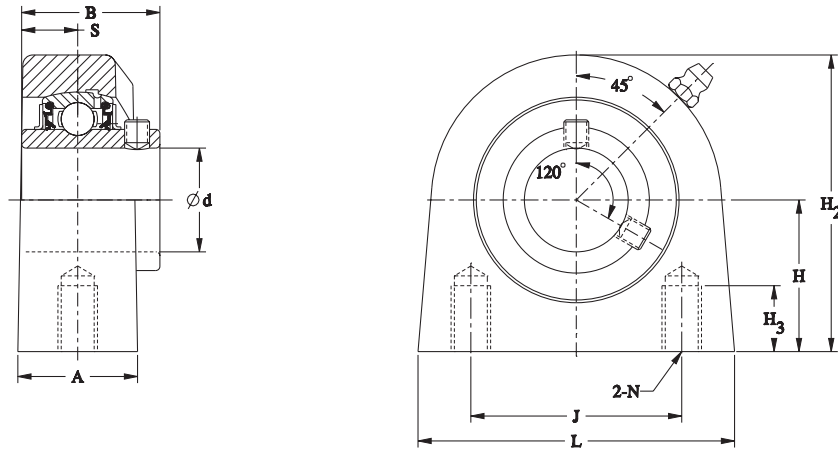


Shaft Dia. d		Tapped Base Designation	Bearing Designation	Basic Load Ratings		Dimensions									Wt.										
				Dynamic C <sub>r</sub>	Static C <sub>0r</sub>	H	L	A	J	N	H <sub>2</sub>	H <sub>3</sub>	S	N											
mm	in.				mm in.	mm in.	mm in.	mm in.	mm in.	mm in.	mm in.	mm in.	mm in.	mm in.	kg lbs										
20	¾	SUCBTBY204-12/F	SUC204-12/F	10.9	5.4	33.3	75.2	28.7	50.8		65.5	17	31	12.7	0.3										
		<b>SUCBTBY204/F</b>	<b>SUC204/F</b>	2450	1203	1.310	2.960	1.130	2.000	⅜-16	2.580	0.670	1.220	0.500	0.6										
25	7/8	SUCBTBY205-14/F	SUC205-14/F	11.9	6.3	36.6	76.2	29	50.8	⅜-16	71.4	17	34.1	14.3	0.4										
	1 5/16	SUCBTBY205-15/F	SUC205-15/F																						
		<b>SUCBTBY205/F</b>	<b>SUC205/F</b>													2675	1416	1.440	3.000	1.140	2.000	2.810	0.670	1.343	0.563
	1	SUCBTBY205-16/F	SUC205-16/F																						
30	1 1/8	SUCBTBY206-18/F	SUC206-18/F	16.5	9.1	42.9	108	41.4	76.2	⅞-14	85.9	24.8	38.1	15.9	0.5										
		<b>SUCBTBY206/F</b>	<b>SUC206/F</b>													3709	2035	1.690	4.250	1.630	3.000	3.380	0.976	1.500	0.626
	1 3/8	SUCBTBY206-19/F	SUC206-19/F																						
	1 1/4	SUCBTBY206-20/F	SUC206-20/F																						
35	1 1/4	SUCBTBY207-20/F	SUC207-20/F	21.8	12.3	47.8	114.3	44.5	82.6	½-13	98.6	20.4	42.9	17.5	0.8										
	1 5/8	SUCBTBY207-21/F	SUC207-21/F																						
	1 3/4	SUCBTBY207-22/F	SUC207-22/F																						
		<b>SUCBTBY207/F</b>	<b>SUC207/F</b>													4901	2765	1.880	4.500	1.750	3.250	3.880	0.803	1.689	0.689
	1 7/8	SUCBTBY207-23/F	SUC207-23/F																						

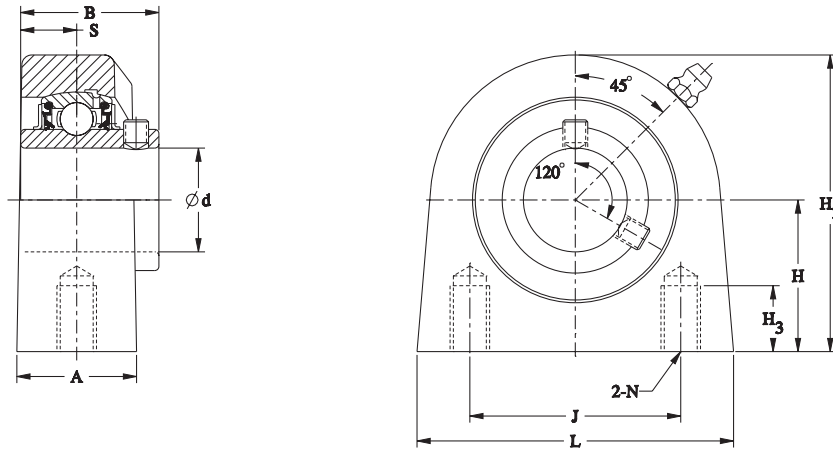


Shaft Dia. d		Tapped Base Designation	Bearing Designation	Basic Load Ratings		Dimensions								Wt.	
				Dynamic C <sub>r</sub>	Static C <sub>0r</sub>	H	L	A	J	N	H <sub>2</sub>	H <sub>3</sub>	S		N
mm	in.				mm in.	mm in.	mm in.	mm in.	mm in.	mm in.	mm in.	mm in.	mm in.	kg lbs	
40	1 ½	SUCBTBY208-24/F	SUC208-24/F	24.8 5575	14.3 3215	49.3 1.940	120.7 4.750	47.8 1.880	88.9 3.500	½-13	104.8 4.130	20.4 0.803	49.2 1.937	19 0.748	1.0 2.2
	1 ⅝	SUCBTBY208-25/F	SUC208-25/F												
		<b>SUCBTBY208/F</b>	<b>SUC208/F</b>												
45	1 ⅞	SUCBTBY209-26/F	SUC209-26/F	27.8 6250	16.2 3642	54 2.130	133.4 5.250	50 1.970	95.3 3.750	½-13	111.3 4.380	20.4 0.803	49.2 1.937	19 0.748	1.1 2.5
	1 11/16	SUCBTBY209-27/F	SUC209-27/F												
	1 ¾	SUCBTBY209-28/F	SUC209-28/F												
50	1 7/8	SUCBTBY210-30/F	SUC210-30/F	29.8 6699	18.6 4181	57.2 2.250	146.1 5.750	54 2.130	101.6 4.000	¾-11	120.7 4.750	29 1.140	51.6 2.031	19 0.748	1.4 3.0
	1 15/16	SUCBTBY210-31/F	SUC210-31/F												
	2	SUCBTBY210-32/F	SUC210-32/F												

**POLYMER TAPPED-BASE (METRIC THREAD) HOUSED UNITS**

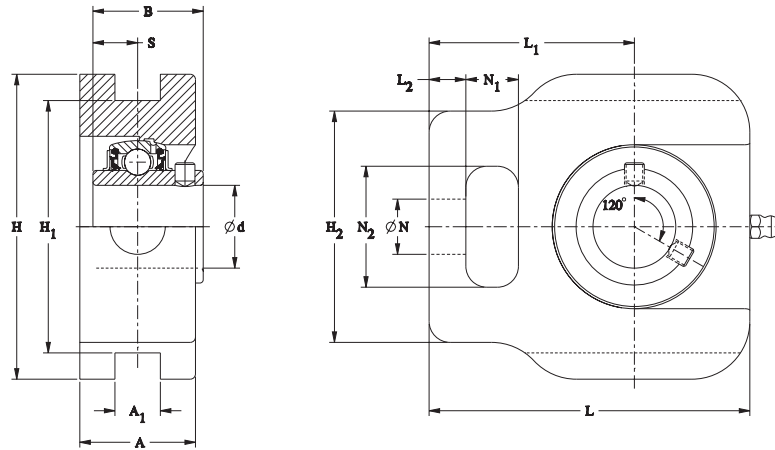


Shaft Dia. d		Tapped Base Designation	Bearing Designation	Basic Load Ratings		Dimensions									Wt.												
				Dynamic C <sub>r</sub>	Static C <sub>0r</sub>	H	L	A	J	N	H <sub>2</sub>	H <sub>3</sub>	B	S													
mm	in.				mm in.	mm in.	mm in.	mm in.	mm in.	mm in.	mm in.	mm in.	mm in.	mm in.	kg lbs												
20	¾	SUCBTBYM204-12/F	SUC204-12/F	10.9	5.4	33.3	75.2	28.7	50.8	M8	65.5	15.2	31	12.7	0.3												
		SUCBTBYM204/F	SUC204/F	2450	1203	1.310	2.960	1.130	2.000		2.580	0.600	1.220	0.500	0.6												
25	7/8	SUCBTBYM205-14/F	SUC205-14/F	11.9	6.3	36.6	76.2	29	50.8	M10	71.4	15.2	34.1	14.3	0.4												
	15/16	SUCBTBYM205-15/F	SUC205-15/F													2675	1416	1.440	3.000	1.140	2.000	2.810	0.600	1.343	0.563	0.8	
		SUCBTBYM205-16/F	SUC205-16/F																								
30	1	SUCBTBYM205-16/F	SUC205-16/F	16.5	9.1	42.9	108	41.4	76.2	M10	85.9	22.9	38.1	15.9	0.5												
	1 1/8	SUCBTBYM206-18/F	SUC206-18/F													3709	2035	1.690	4.250	1.630	3.000	3.380	0.900	1.500	0.626	1.2	
		SUCBTBYM206-19/F	SUC206-19/F																								
35	1 1/4	SUCBTBYM206-20/F	SUC206-20/F	21.8	12.3	47.8	114.3	44.5	82.6	M10	98.6	18.5	42.9	17.5	0.8												
	1 1/4	SUCBTBYM207-20/F	SUC207-20/F													4901	2765	1.880	4.500	1.750	3.250	3.880	0.730	1.689	0.689	1.8	
	1 5/16	SUCBTBYM207-21/F	SUC207-21/F																								
	1 3/8	SUCBTBYM207-22/F	SUC207-22/F																								
		SUCBTBYM207-23/F	SUC207-23/F																								



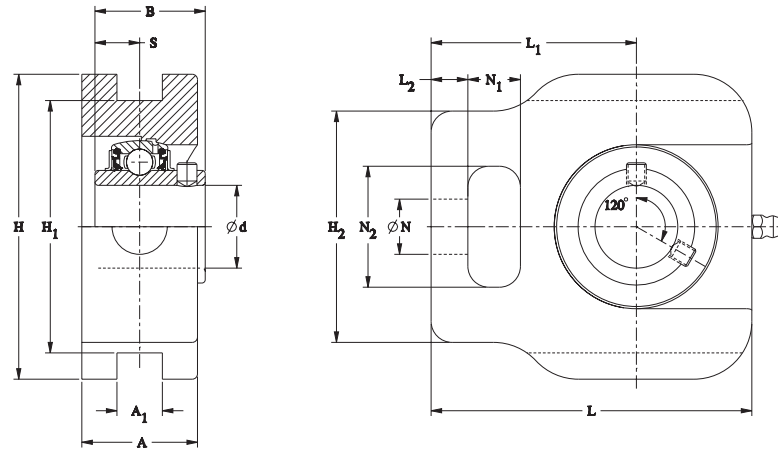
Shaft Dia. d		Tapped Base Designation	Bearing Designation	Basic Load Ratings		Dimensions								Wt.	
				Dynamic	Static	H	L	A	J	N	H <sub>2</sub>	H <sub>3</sub>	B		S
				C <sub>r</sub>	C <sub>0r</sub>	mm in.	mm in.	mm in.	mm in.	mm in.	mm in.	mm in.	mm in.		mm in.
40	1 ½	SUCBTBYM208-24/F	SUC208-24/F	24.8 5575	14.3 3215	49.3 1.940	120.7 4.750	47.8 1.880	88.9 3.500	M12	104.8 4.130	18.5 0.730	49.2 1.937	19 0.748	1.0 2.2
	1 ⅝	SUCBTBYM208-25/F	SUC208-25/F												
		<b>SUCBTBYM208/F</b>	<b>SUC208/F</b>												
45	1 ⅝	SUCBTBYM209-26/F	SUC209-26/F	27.8 6250	16.2 3642	54 2.130	133.4 5.250	50 1.970	95.3 3.750	M12	111.3 4.380	18.5 0.730	49.2 1.937	19 0.748	1.1 2.5
	1 ⅞	SUCBTBYM209-27/F	SUC209-27/F												
	1 ¾	SUCBTBYM209-28/F	SUC209-28/F												
		<b>SUCBTBYM209/F</b>	<b>SUC209/F</b>												
50	1 ⅞	SUCBTBYM210-30/F	SUC210-30/F	29.8 6699	18.6 4181	57.2 2.250	146.1 5.750	54 2.130	101.6 4.000	M16	120.7 4.750	29 1.140	51.6 2.031	19 0.748	1.4 3.0
	1 ⅞	SUCBTBYM210-31/F	SUC210-31/F												
	2	SUCBTBYM210-32/F	SUC210-32/F												

**POLYMER TAKE-UP HOUSED UNITS**



Shaft Dia. d		Take-Up Unit Designation	Bearing Designation	Basic Load Ratings		Dimensions													Wt.
				Dynamic C <sub>r</sub>	Static C <sub>0r</sub>	H	H <sub>1</sub>	L <sub>2</sub>	L <sub>1</sub>	A	N	L	H <sub>2</sub>	B	S	N <sub>1</sub>	N <sub>2</sub>	A <sub>1</sub>	
mm	in.			kN lbs	kN lbs	mm in.	mm in.	mm in.	mm in.	mm in.	mm in.	mm in.	mm in.	mm in.	mm in.	mm in.	mm in.	mm in.	kg lbs
20	¾	SUCBT204-12/F	SUC204-12/F	10.9	5.4	92.2	76.2	11.2	60.5	35.1	16.7	93.7	69.9	31	12.7	15.9	36.5	13.7	0.4
		SUCBT204/F	SUC204/F	2450	1203	3.625	3.000	0.438	2.375	1.380	0.656	3.688	2.750	1.220	0.500	0.625	1.438	0.540	0.9
25	7/8	SUCBT205-14/F	SUC205-14/F	11.9	6.3	92.2	76.2	11.2	62	35.1	16.7	96.8	69.9	34.1	14.3	15.9	36.5	13.7	0.5
	15/16	SUCBT205-15/F	SUC205-15/F																
		SUCBT205-16/F	SUC205-16/F																
30	1	SUCBT206-18/F	SUC206-18/F	16.5	9.1	104.9	88.9	11.2	69.9	41.3	19.8	111.3	82.6	38.1	15.9	19.8	41.3	13.7	0.7
	1 1/8	SUCBT206-19/F	SUC206-19/F																
		SUCBT206-20/F	SUC206-20/F																
35	1 1/4	SUCBT207-20/F	SUC207-20/F	21.8	12.3	104.9	88.9	11.2	76.2	41.3	19.8	122.2	82.6	42.9	17.5	19.8	41.4	13.7	0.9
	1 3/8	SUCBT207-21/F	SUC207-21/F																
		SUCBT207-22/F	SUC207-22/F																
	1 7/8	SUCBT207-23/F	SUC207-23/F																





Shaft Dia. d	Take-Up Unit Designation	Bearing Designation	Basic Load Ratings		Dimensions													Wt.		
			Dynamic	Static	H	H <sub>1</sub>	L <sub>2</sub>	L <sub>1</sub>	A	N	L	H <sub>2</sub>	B	S	N <sub>1</sub>	N <sub>2</sub>	A <sub>1</sub>			
			C <sub>r</sub>	C <sub>0r</sub>	mm	mm	mm	mm	mm	mm	mm	mm	mm	mm	mm	mm	mm		mm	mm
mm	in.		kN	kN	mm	mm	mm	mm	mm	mm	mm	mm	mm	mm	mm	mm	mm	mm	kg	
			lbs	lbs	in.	in.	in.	in.	in.	in.	in.	in.	in.	in.	in.	in.	in.	in.	lbs	
	1 1/2	SUCBT208-24/F	SUC208-24/F	24.8 5575	14.3 3215	114.3 4.500	101.6 4.000	14.2 0.563	87.4 3.438	47.8 1.875	27 1.060	139.7 5.500	95.3 3.750	49.2 1.937	19 0.748	23.8 0.938	49.2 1.938	17.7 0.696	1.2 2.6	
	1 5/8	SUCBT208-25/F	SUC208-25/F																	
<b>40</b>		<b>SUCBT208/F</b>	<b>SUC208/F</b>																	
	1 5/8	SUCBT209-26/F	SUC209-26/F	27.8 6250	16.2 3642	117.6 4.625	101.6 4.000	14.2 0.560	88.9 3.500	47.8 1.875	27 1.063	144.5 5.688	95.3 3.750	49.2 1.937	19 0.748	23.8 0.938	49.2 1.938	17.7 0.696	1.3 2.9	
	1 7/8	SUCBT209-27/F	SUC209-27/F																	
<b>45</b>		<b>SUCBT209/F</b>	<b>SUC209/F</b>																	
	1 7/8	SUCBT210-30/F	SUC210-30/F	29.8 6699	18.6 4181	120.7 4.750	101.6 4.000	14.2 0.563	90.4 3.563	47.8 1.875	27 1.063	147.6 5.813	95.3 3.750	51.6 2.031	19 0.748	23.8 0.938	49.2 1.938	17.7 0.696	1.4 3.0	
	1 15/16	SUCBT210-31/F	SUC210-31/F																	
<b>50</b>		<b>SUCBT210/F</b>	<b>SUC210/F</b>																	
	2	SUCBT210-32/F	SUC210-32/F																	



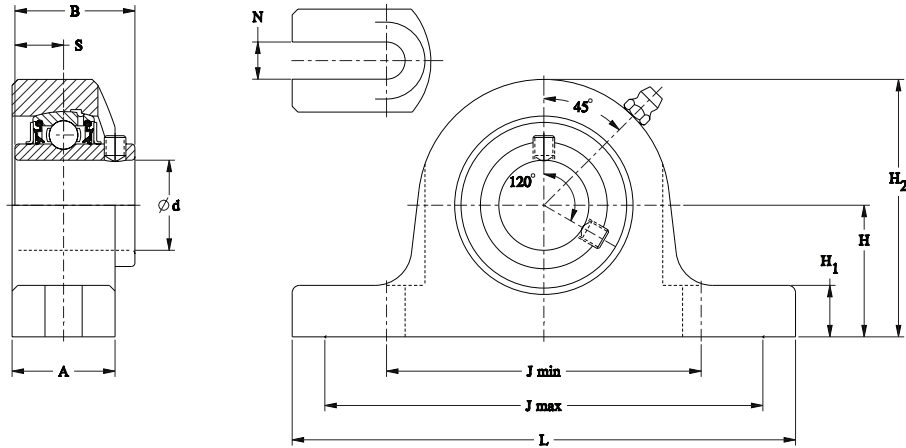


***HYGIENIC STAINLESS STEEL  
HOUSED UNITS WITH  
STAINLESS STEEL BALL  
BEARING INSERTS***

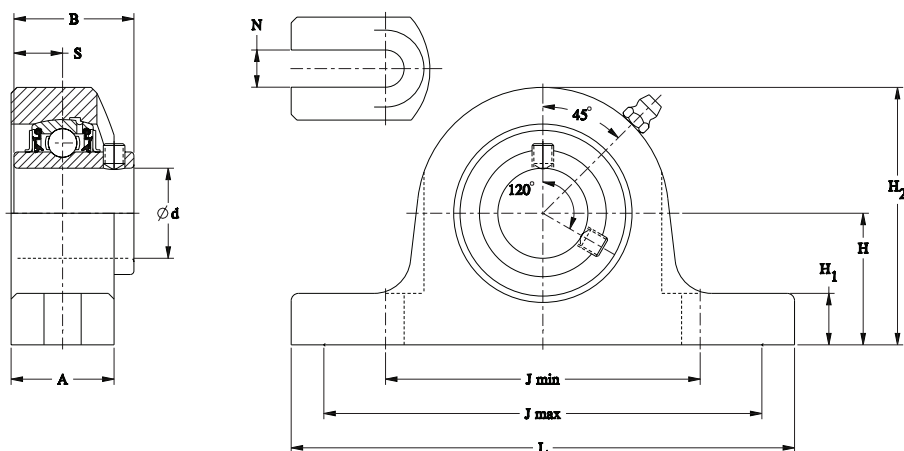
The following topics are covered within this section:

Stainless Steel Two-Bolt Pillow Block Housed Units . . . . .	58
Stainless Steel Two-Bolt Flanged Housed Units . . . . .	60
Stainless Steel Three-Bolt Flanged Housed Units . . . . .	62
Stainless Steel Four-Bolt Flanged Housed Units . . . . .	64
Stainless Steel Tapped-Base (Imperial Thread) Housed Units . .	66
Stainless Steel Tapped-Base (Metric Thread) Housed Units . .	68
Stainless Steel Take-Up Housed Units . . . . .	70

STAINLESS STEEL TWO-BOLT PILLOW BLOCK HOUSED UNITS

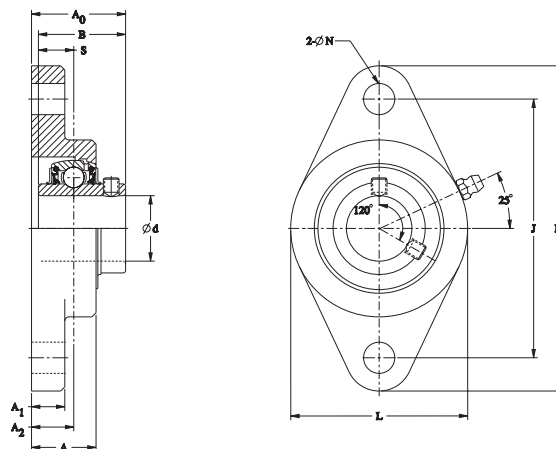


Shaft Dia. d		Pillow-Block Designation	Bearing Designation	Basic Load Ratings		Dimensions										Bolt Size	Wt.
				Dynamic	Static	H	L	A	H <sub>1</sub>	J min	J max	H <sub>2</sub>	B	S	N		
				C <sub>r</sub>	C <sub>0r</sub>	mm in.	mm in.	mm in.	mm in.	mm in.	mm in.	mm in.	mm in.	mm in.	mm in.		
20	¾	SUCAP204-12/F	SUC204-12/F	10.9	5.4	33.3	133.4	28.7	12.7	82.6	111.3	65	31	12.7	10.3	M10	0.7
		SUCAP204/F	SUC204/F	2450	1203	1.313	5.250	1.130	0.500	3.250	4.375	2.560	1.220	0.500	0.406	⅜	1.6
25	⅞	SUCAP205-14/F	SUC205-14/F	11.9	6.3	36.6	139.7	28.7	14.2	87.4	117.6	71.4	34.1	14.3	10.3	M10	0.8
	1⅙	SUCAP205-15/F	SUC205-15/F														
		SUCAP205/F	SUC205/F	2675	1416	1.438	5.500	1.130	0.563	3.438	4.625	2.810	1.343	0.563	0.406	⅜	1.8
	1	SUCAP205-16/F	SUC205-16/F														
30	1⅝	SUCAP206-18/F	SUC206-18/F	16.5	9.1	42.9	158.8	37.3	17.5	104.9	130.3	82.6	38.1	15.9	13.5	M12	1.5
		SUCAP206/F	SUC206/F														
	1⅞	SUCAP206-19/F	SUC206-19/F	3709	2035	1.688	6.248	1.470	0.688	4.126	5.125	3.250	1.500	0.626	0.531	½	3.2
	1¾	SUCAP206-20/F	SUC206-20/F														
35	1¾	SUCAP207-20/F	SUC207-20/F	21.8	12.3	47.8	166.6	37.3	17.5	119.1	138.2	95.3	42.9	17.5	13.5	M12	1.9
	1⅞	SUCAP207-21/F	SUC207-21/F														
		SUCAP207-22/F	SUC207-22/F	4901	2765	1.875	6.564	1.470	0.688	4.688	5.438	3.750	1.689	0.689	0.531	½	4.1
	1⅞	SUCAP207/F	SUC207/F														
	1⅞	SUCAP207-23/F	SUC207-23/F														

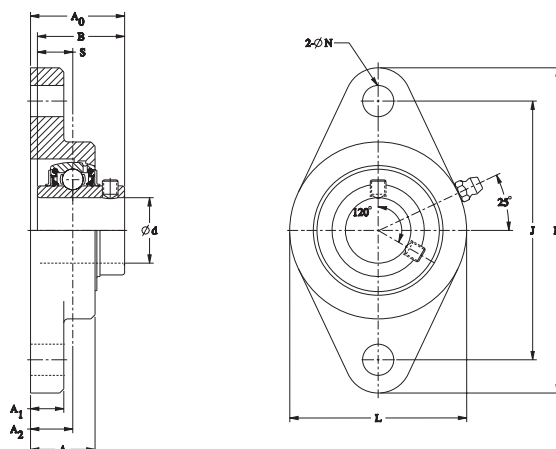


Shaft Dia. d		Pillow-Block Designation	Bearing Designation	Basic Load Ratings		Dimensions										Bolt Size	Wt.
				Dynamic C <sub>r</sub>	Static C <sub>0r</sub>	H	L	A	H <sub>1</sub>	J min	J max	H <sub>2</sub>	B	S	N		
mm	in.				mm in.	mm in.	mm in.	mm in.	mm in.	mm in.	mm in.	mm in.	mm in.	mm in.	mm in.	mm in.	
40	1 ½	SUCAP208-24/F	SUC208-24/F	24.8 5575	14.3 3215	54.1 2.125	184.2 7.252	41.4 1.630	19.1 0.752	127 5.000	155.7 6.126	106.4 4.190	49.2 1.937	19 0.748	13.5 0.531	M12 ½	2.6 5.7
	1 ⅝	SUCAP208-25/F	SUC208-25/F														
		<b>SUCAP208/F</b>	<b>SUC208/F</b>														
45	1 ⅝	SUCAP209-26/F	SUC209-26/F	27.8 6250	16.2 3642	54.1 2.130	189 7.438	43.7 1.720	17.5 0.688	134.9 5.313	160.3 6.311	108 4.250	49.2 1.937	19 0.748	13.5 0.531	M12 ½	2.9 6.5
	1 11/16	SUCAP209-27/F	SUC209-27/F														
	1 ¾	SUCAP209-28/F	SUC209-28/F														
50	1 ⅞	SUCAP210-30/F	SUC210-30/F	29.8 6699	18.6 4181	57.2 2.252	206.5 8.125	50 1.970	19.1 0.752	149.4 5.875	171.5 6.752	114.3 4.500	51.6 2.031	19 0.748	16.7 0.656	M16 ⅝	3.6 8.0
	1 15/16	SUCAP210-31/F	SUC210-31/F														
	2	SUCAP210-32/F	SUC210-32/F														

### STAINLESS STEEL TWO-BOLT FLANGED HOUSED UNITS

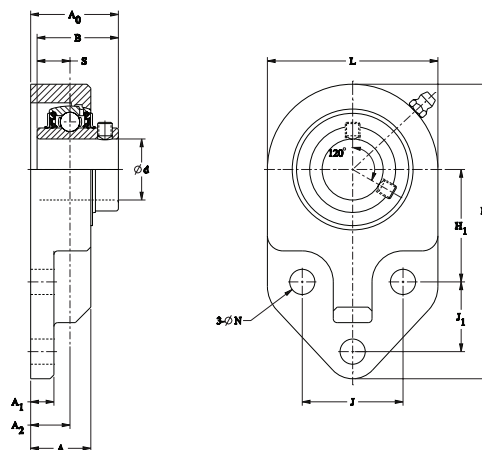


Shaft Dia. d		Two-Bolt Flange Designation	Bearing Designation	Basic Load Ratings		Dimensions										Bolt Size	Wt.															
				Dynamic	Static	H	L	J	A	A <sub>1</sub>	A <sub>2</sub>	A <sub>0</sub>	B	S	N																	
				C <sub>r</sub>	C <sub>0r</sub>	mm in.	mm in.	mm in.	mm in.	mm in.	mm in.	mm in.	mm in.	mm in.	mm in.			mm in.	mm in.													
20	¾	SUCAFL204-12/F	SUC204-12/F	10.9	5.4	112	89.7	11.2	24.1	33.4	61.5	15.1	31	12.7	10.3	M10	0.5															
		SUCAFL204/F	SUC204/F	2450	1203	4.407	3.532	0.438	0.950	1.315	2.421	0.594	1.220	0.500	0.406	¾	1.1															
25	⅞	SUCAFL205-14/F	SUC205-14/F	11.9	6.3	124.2	98.8	12.7	24.6	35.9	67.6	16.1	34.1	14.3	11.9	M10	0.7															
	1⅙	SUCAFL205-15/F	SUC205-15/F															2675	1416	4.890	3.890	0.500	0.970	1.413	2.661	0.634	1.343	0.563	0.469	¾	1.5	
		SUCAFL205-16/F	SUC205-16/F																													
30	1	SUCAFL205-16/F	SUC205-16/F	16.5	9.1	142	116.8	12.7	27.2	38.9	79.2	16.7	38.1	15.9	11.9	M10	1.0															
	1⅝	SUCAFL206-18/F	SUC206-18/F															3709	2035	5.594	4.600	0.500	1.067	1.531	3.118	0.657	1.500	0.626	0.469	⅞	2.3	
		SUCAFL206-19/F	SUC206-19/F																													
35	1¾	SUCAFL206-20/F	SUC206-20/F	21.8	12.3	158.8	130.1	14.2	31	45.5	91.9	20.1	42.9	17.5	13.5	M12	1.5															
	1¾	SUCAFL206-20/F	SUC206-20/F															4901	2765	6.250	5.124	0.563	1.223	1.791	3.618	0.791	1.689	0.689	0.531	⅞	3.2	
	1¾	SUCAFL207-20/F	SUC207-20/F																													
	1⅞	SUCAFL207-21/F	SUC207-21/F																													
	1⅞	SUCAFL207-22/F	SUC207-22/F																													
	1⅞	SUCAFL207-23/F	SUC207-23/F																													



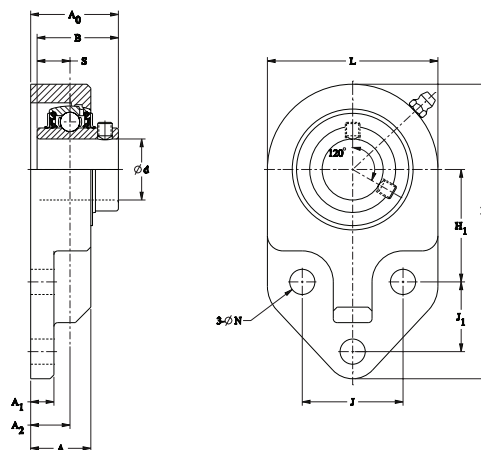
Shaft Dia. d		Two-Bolt Flange Designation	Bearing Designation	Basic Load Ratings		Dimensions										Bolt Size	Wt.
				Dynamic C <sub>r</sub>	Static C <sub>0r</sub>	H	L	J	A	A <sub>1</sub>	A <sub>2</sub>	A <sub>0</sub>	B	S	N		
mm	in.			kN lbs	kN lbs	mm in.	mm in.	mm in.	mm in.	mm in.	mm in.	mm in.	mm in.	mm in.	mm in.	mm in.	
40	1 ½	SUCAFL208-24/F	SUC208-24/F	24.8 5575	14.3 3215	172.2 6.781	143.8 5.656	14.2 0.563	31.5 1.240	49.7 1.957	101.6 4.000	19.5 0.768	49.2 1.937	19 0.748	13.5 0.531	M12 ½	1.8 4.0
	1 ⅞	SUCAFL208-25/F	SUC208-25/F														
		<b>SUCAFL208/F</b>	<b>SUC208/F</b>														
45	1 ⅝	SUCAFL209-26/F	SUC209-26/F	27.8 6250	16.2 3642	172.2 6.780	148.3 5.844	16 0.625	31.5 1.240	49.6 1.953	108 4.252	19.4 0.764	49.2 1.937	19 0.748	13.5 0.531	M12 ½	2.1 4.6
	1 11/16	SUCAFL209-27/F	SUC209-27/F														
	1 ¾	SUCAFL209-28/F	SUC209-28/F														
50	1 ⅞	SUCAFL210-30/F	SUC210-30/F	29.8 6699	18.6 4181	177 6.970	157.2 6.188	16.0 0.625	31.5 1.240	52.2 2.055	115.8 4.559	19.6 0.772	51.6 2.031	19 0.748	16.7 0.656	M12 ½	2.3 5.1
	1 15/16	SUCAFL210-31/F	SUC210-31/F														
	2	SUCAFL210-32/F	SUC210-32/F														

### STAINLESS STEEL THREE-BOLT FLANGED HOUSED UNITS



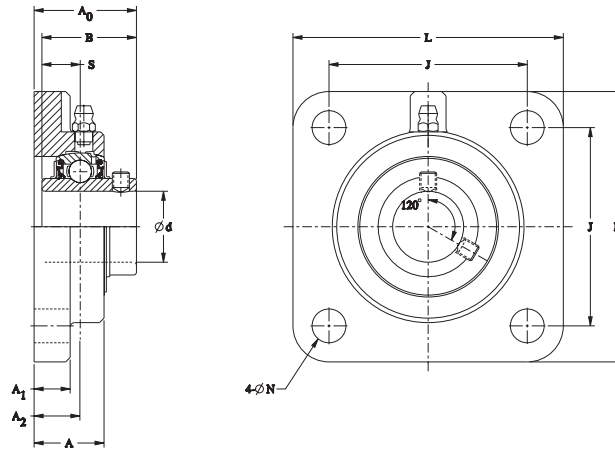
Shaft Dia. d		Three-Bolt Flange Designation	Bearing Designation	Basic Load Ratings		Dimensions											Bolt Size	Wt.																		
				Dynamic	Static	H	H <sub>1</sub>	J <sub>1</sub>	J	L	A	A <sub>2</sub>	A <sub>0</sub>	A <sub>1</sub>	B	S			N																	
				C <sub>r</sub>	C <sub>0r</sub>	mm in.	mm in.	mm in.	mm in.	mm in.	mm in.	mm in.	mm in.	mm in.	mm in.	mm in.			mm in.	mm in.																
20	¾	SUCAFB204-12/F	SUC204-12/F	10.9	5.4	108	42.9	22.4	38.1	63.5	24.1	15.1	33.4	7.9	31	12.7	10.3	M10	0.7																	
		SUCAFB204/F	SUC204/F	2450	1203	4.250	1.688	0.875	1.500	2.500	0.950	0.594	1.315	0.310	1.220	0.500	0.406	¾	1.5																	
25	⅞	SUCAFB205-14/F	SUC205-14/F	11.9	6.3	120.7	46	28.7	41.4	69.9	24.6	16.1	35.9	9.7	34.1	14.3	10.3	M10	0.9																	
	1⅛	SUCAFB205-15/F	SUC205-15/F																	2675	1416	4.750	1.813	1.125	1.625	2.750	0.970	0.634	1.315	0.380	1.343	0.563	0.406	¾	1.9	
		SUCAFB205/F	SUC205/F																																	
30	1	SUCAFB205-16/F	SUC205-16/F	16.5	9.1	136.7	52.3	31.8	47.8	79.2	27.2	16.7	38.9	9.7	38.1	15.9	10.3	M10	1.2																	
	1⅜	SUCAFB206-18/F	SUC206-18/F																	3709	2035	5.380	2.060	1.253	1.875	3.120	1.067	0.657	1.315	0.380	1.500	0.626	0.406	¾	2.6	
		SUCAFB206/F	SUC206/F																																	
	1⅝	SUCAFB206-19/F	SUC206-19/F																																	
35	1¾	SUCAFB206-20/F	SUC206-20/F	21.8	12.3	152.4	60.5	31.8	50.8	92.2	31	20.1	45.5	12.7	42.9	17.5	13.5	M12	1.9																	
	1¾	SUCAFB207-20/F	SUC207-20/F																	4901	2765	6.000	2.375	1.250	2.000	3.630	1.223	0.791	1.315	0.500	1.689	0.689	0.531	½	4.2	
	1⅞	SUCAFB207-21/F	SUC207-21/F																																	
	1⅞	SUCAFB207-22/F	SUC207-22/F																																	
	1⅞	SUCAFB207/F	SUC207/F																																	
	1⅞	SUCAFB207-23/F	SUC207-23/F																																	



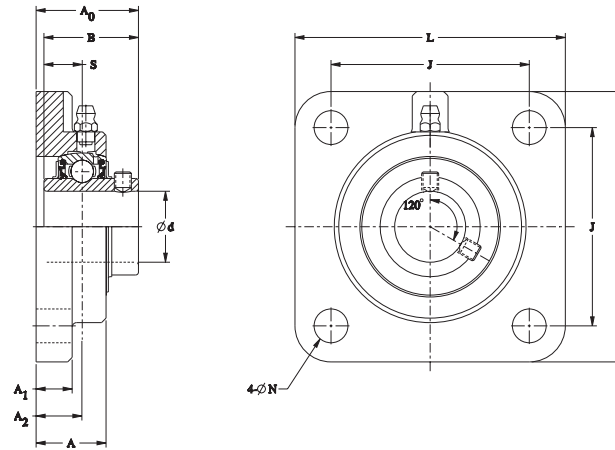


Shaft Dia. d		Three-Bolt Flange Designation	Bearing Designation	Basic Load Ratings		Dimensions												Bolt Size	Wt.
				Dynamic	Static	H	H <sub>1</sub>	J <sub>1</sub>	J	L	A	A <sub>2</sub>	A <sub>0</sub>	A <sub>1</sub>	B	S	N		
				C <sub>r</sub>	C <sub>0r</sub>	mm in.	mm in.	mm in.	mm in.	mm in.	mm in.	mm in.	mm in.	mm in.	mm in.	mm in.	mm in.		
40	1 ½	SUCAFB208-24/F	SUC208-24/F	24.8 5575	14.3 3215	165.1 6.500	65 2.563	35.1 1.375	57.2 2.250	101.6 4.000	31.5 1.240	19.5 0.768	49.7 1.315	12.7 0.500	49.2 1.937	19 0.748	13.5 0.531	M12 ½	2.1 4.7
	1 ⅞	SUCAFB208-25/F	SUC208-25/F																
		<b>SUCAFB208/F</b>	<b>SUC208/F</b>																
45	1 ⅝	SUCAFB209-26/F	SUC209-26/F	27.8 6250	16.2 3642	176.3 6.940	69.9 2.750	38.1 1.500	63.5 2.500	108 4.250	31.5 1.240	19.4 0.764	49.6 1.315	12.7 0.500	49.2 1.937	19 0.748	13.5 0.531	M12 ½	2.4 5.3
	1 ⅞	SUCAFB209-27/F	SUC209-27/F																
	1 ¾	SUCAFB209-28/F	SUC209-28/F																
50	1 ⅞	SUCAFB210-30/F	SUC210-30/F	29.8 6699	18.6 4181	188.2 7.410	74.7 2.938	41.4 1.625	69.9 2.750	115.8 4.560	31.5 1.240	19.6 0.772	52.2 1.315	12.7 0.500	51.6 2.031	19 0.748	13.5 0.531	M12 ½	2.9 6.3
	1 ⅞	SUCAFB210-31/F	SUC210-31/F																
	2	SUCAFB210-32/F	SUC210-32/F																

**STAINLESS STEEL FOUR-BOLT FLANGED HOUSED UNITS**

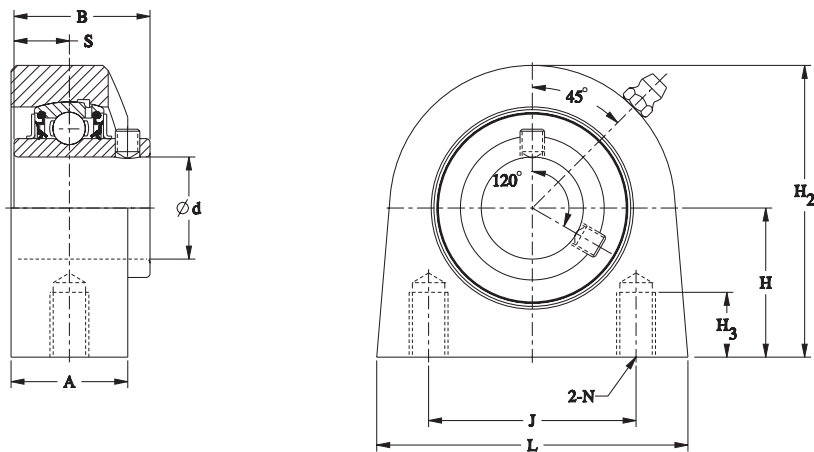


Shaft Dia. d		Four-Bolt Flange Designation	Bearing Designation	Basic Load Ratings		Dimensions										Bolt Size	Wt.
				Dynamic C <sub>r</sub>	Static C <sub>0r</sub>	L	J	A <sub>1</sub>	A <sub>2</sub>	A	A <sub>0</sub>	B	S	N			
mm	in.			kN lbs	kN lbs	mm in.	mm in.	mm in.	mm in.	mm in.	mm in.	mm in.	mm in.	mm in.	mm in.	mm in.	
20	¾	SUCAF204-12/F	SUC204-12/F	10.9 2450	5.4 1203	85.9 3.375	63.5 2.500	11.2 0.438	15.1 0.594	24.1 0.950	33.4 1.315	31 1.220	12.7 0.500	10.3 0.406	M10 ¾	0.9 1.9	
		SUCAF204/F	SUC204/F														
25	⅞	SUCAF205-14/F	SUC205-14/F	11.9 2675	6.3 1416	95.3 3.750	69.9 2.750	12.7 0.500	16.1 0.634	24.6 0.970	35.9 1.413	34.1 1.343	14.3 0.563	10.3 0.406	M10 ⅞	1.0 2.2	
	1⅙	SUCAF205-15/F	SUC205-15/F														
		SUCAF205/F	SUC205/F														
30	1	SUCAF205-16/F	SUC205-16/F	16.5 3709	9.1 2035	108 4.250	82.6 3.250	12.7 0.500	16.7 0.657	27.2 1.067	38.9 1.531	38.1 1.500	15.9 0.626	10.3 0.406	M10 ⅞	1.4 3.0	
	1⅝	SUCAF206-18/F	SUC206-18/F														
		SUCAF206/F	SUC206/F														
35	1⅜	SUCAF206-19/F	SUC206-19/F	21.8 4901	12.3 2765	120.7 4.753	92.2 3.625	14.2 0.563	20.1 0.791	31 1.223	45.5 1.791	42.9 1.689	17.5 0.689	13.5 0.531	M12 ½	2.0 4.4	
	1¾	SUCAF206-20/F	SUC206-20/F														
	1¾	SUCAF207-20/F	SUC207-20/F														
	1⅞	SUCAF207-21/F	SUC207-21/F														
		SUCAF207/F	SUC207/F														
	1⅞	SUCAF207-22/F	SUC207-22/F														
	1⅞	SUCAF207-23/F	SUC207-23/F														



Shaft Dia. d		Four-Bolt Flange Designation	Bearing Designation	Basic Load Ratings		Dimensions								Bolt Size	Wt.	
				Dynamic	Static	L	J	A <sub>1</sub>	A <sub>2</sub>	A	A <sub>0</sub>	B	S			N
				C <sub>r</sub>	C <sub>0r</sub>	mm in.	mm in.	mm in.	mm in.	mm in.	mm in.	mm in.	mm in.			mm in.
40	1 ½	SUCAF208-24/F	SUC208-24/F	24.8 5575	14.3 3215	130.3 5.125	101.6 4.000	14.2 0.563	19.5 0.768	31.5 1.240	49.7 1.957	49.2 1.937	19 0.748	13.5 0.531	M12 ½	2.6 5.7
	1 ⅞	SUCAF208-25/F	SUC208-25/F													
		<b>SUCAF208/F</b>	<b>SUC208/F</b>													
45	1 ⅝	SUCAF209-26/F	SUC209-26/F	27.8 6250	16.2 3642	133.4 5.250	104.9 4.125	16 0.625	19.4 0.764	31.5 1.240	49.6 1.953	49.2 1.937	19 0.748	13.5 0.531	M12 ½	2.8 6.2
	1 ⅞	SUCAF209-27/F	SUC209-27/F													
		<b>SUCAF209/F</b>	<b>SUC209/F</b>													
50	1 ¾	SUCAF210-28/F	SUC209-28/F	29.8 6699	18.6 4181	139.7 5.500	111.3 4.375	16 0.625	19.6 0.772	31.5 1.240	52.2 2.055	51.6 2.031	19 0.748	13.5 0.531	M12 ½	2.9 6.4
	1 ⅞	SUCAF210-30/F	SUC210-30/F													
		<b>SUCAF210/F</b>	<b>SUC210/F</b>													
	2	SUCAF210-32/F	SUC210-32/F													

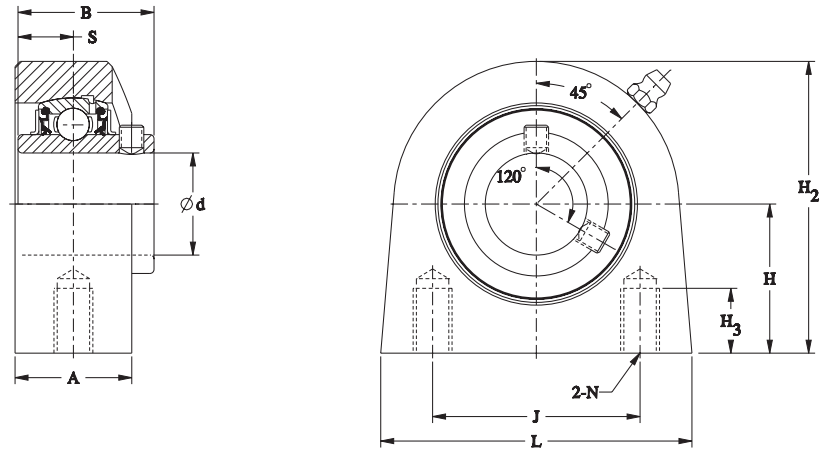
### STAINLESS STEEL TAPPED-BASE (IMPERIAL THREAD) HOUSED UNITS



Shaft Dia. d		Tapped Base Designation	Bearing Designation	Basic Load Ratings		Dimensions									Wt.
				Dynamic C <sub>r</sub>	Static C <sub>0r</sub>	H	L	A	J	N	H <sub>2</sub>	H <sub>3</sub>	B	S	
mm	in.				mm	mm	mm	mm	mm	mm	mm	mm	mm	mm	kg
					lbs	lbs	in.	in.	in.	in.	in.	in.	in.	in.	lbs
20	¾	SUCATBY204-12/F	SUC204-12/F	10.9	5.4	33.3	73.2	28.7	50.8		64.3	15.9	31	12.7	0.6
		SUCATBY204/F	SUC204/F	2450	1203	1.313	2.880	1.130	2.000	⅜-16	2.530	0.625	1.220	0.500	1.4
25	⅞	SUCATBY205-14/F	SUC205-14/F	11.9	6.3	36.6	76.2	28.7	50.8	⅜-16	71.4	15.9	34.1	14.3	0.8
	1⅛	SUCATBY205-15/F	SUC205-15/F												
		SUCATBY205-16/F	SUC205-16/F												
		SUCATBY205-18/F	SUC205-18/F												
30	1	SUCATBY206-16/F	SUC206-16/F	16.5	9.1	42.9	101.6	37.3	76.2	⅞-14	82.6	19.1	38.1	15.9	1.4
	1 ⅜	SUCATBY206-19/F	SUC206-19/F												
	1 ½	SUCATBY206-20/F	SUC206-20/F												
	1 ¾	SUCATBY206-22/F	SUC206-22/F												
35	1 ⅝	SUCATBY207-21/F	SUC207-21/F	21.8	12.3	47.6	108	37.3	82.6	½-13	93.7	19.1	42.9	17.5	1.8
	1 ¾	SUCATBY207-22/F	SUC207-22/F												
		SUCATBY207-23/F	SUC207-23/F												
		SUCATBY207-23/F	SUC207-23/F												

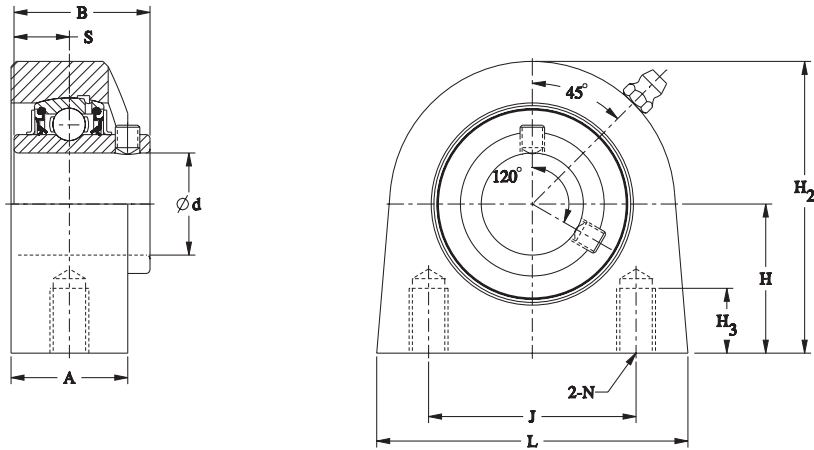
# HYGIENIC STAINLESS STEEL HOUSED UNITS WITH STAINLESS STEEL BALL BEARING INSERTS

## STAINLESS STEEL TAPPED-BASE (IMPERIAL THREAD) HOUSED UNITS



Shaft Dia. d		Tapped Base Designation	Bearing Designation	Basic Load Ratings		Dimensions								Wt.	
				Dynamic	Static	H	L	A	J	N	H <sub>2</sub>	H <sub>3</sub>	B		S
				C <sub>r</sub>	C <sub>0r</sub>	mm	mm	mm	mm	mm	mm	mm	mm		mm
mm	in.				kN	kN	mm	mm	mm	mm	mm	mm	mm	mm	kg
	1 ½	SUCATBY208-24/F	SUC208-24/F	24.8 5575	14.3 3215	49.3 1.938	117.6 4.630	41.4 1.630	88.9 3.500	½-13	100.1 3.940	19.1 0.750	49.2 1.937	19 0.748	2.1 4.7
	1 ⅞	SUCATBY208-25/F	SUC208-25/F												
<b>40</b>		<b>SUCATBY208/F</b>	<b>SUC208/F</b>												
	1 ⅝	SUCATBY209-26/F	SUC209-26/F	27.8 6250	16.2 3642	54 2.125	127 5.000	43.7 1.720	95.3 3.750	½-13	108 4.250	19.1 0.750	49.2 1.937	19 0.748	2.6 5.7
	1 ⅞	SUCATBY209-27/F	SUC209-27/F												
<b>45</b>		<b>SUCATBY209/F</b>	<b>SUC209/F</b>												
	1 ⅞	SUCATBY210-30/F	SUC210-30/F	29.8 6699	18.6 4181	57.2 2.250	139.7 5.500	50 1.970	101.6 4.000	⅝-11	114.3 4.500	22.2 0.875	51.6 2.031	19 0.748	3.4 7.4
	1 ⅞	SUCATBY210-31/F	SUC210-31/F												
<b>50</b>		<b>SUCATBY210/F</b>	<b>SUC210/F</b>												
	2	SUCATBY210-32/F	SUC210-32/F												

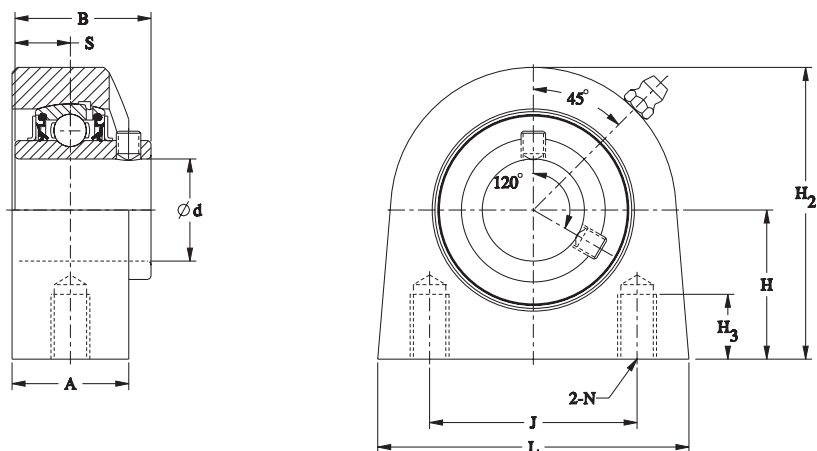
**STAINLESS STEEL TAPPED-BASE (METRIC THREAD) HOUSED UNITS**



Shaft Dia. d		Tapped Base Designation	Bearing Designation	Basic Load Ratings		Dimensions									Wt.											
				Dynamic C <sub>r</sub>	Static C <sub>0r</sub>	H	L	A	J	N	H <sub>2</sub>	H <sub>3</sub>	B	S												
mm	in.				mm in.	mm in.	mm in.	mm in.	mm in.	mm in.	mm in.	mm in.	mm in.	mm in.	kg lbs											
20	¾	SUCATBYM204-12/F	SUC204-12/F	10.9	5.4	33.3	73.2	28.7	50.8	M8	64.3	15.9	31	12.7	0.6											
		SUCATBYM204/F	SUC204/F	2450	1203	1.313	2.880	1.130	2.000		2.530	0.625	1.220	0.500	1.4											
25	7/8	SUCATBYM205-14/F	SUC205-14/F	11.9	6.3	36.6	76.2	28.7	50.8	M10	71.4	15.9	34.1	14.3	0.8											
	15/16	SUCATBYM205-15/F	SUC205-15/F													2675	1416	1.438	3.000	1.130	2.000	2.813	0.625	1.343	0.563	
		SUCATBYM205-16/F	SUC205-16/F																							
	1	SUCATBYM205-16/F	SUC205-16/F																							
30	1 1/8	SUCATBYM206-18/F	SUC206-18/F	16.5	9.1	42.9	101.6	37.3	76.2	M10	82.6	19.1	38.1	15.9	1.4											
		SUCATBYM206-19/F	SUC206-19/F													3709	2035	1.688	4.000	1.470	3.000	3.250	0.750	1.500	0.626	
	1 3/16	SUCATBYM206-19/F	SUC206-19/F																							
	1 1/4	SUCATBYM206-20/F	SUC206-20/F																							
	1 1/4	SUCATBYM207-20/F	SUC207-20/F																							
35	1 3/8	SUCATBYM207-21/F	SUC207-21/F	21.8	12.3	47.6	108	37.3	82.6	M10	93.7	19.1	42.9	17.5	1.8											
	1 7/8	SUCATBYM207-22/F	SUC207-22/F													4901	2765	1.875	4.250	1.470	3.250	3.690	0.750	1.689	0.689	
		SUCATBYM207-22/F	SUC207-22/F																							
	1 7/8	SUCATBYM207-23/F	SUC207-23/F																							

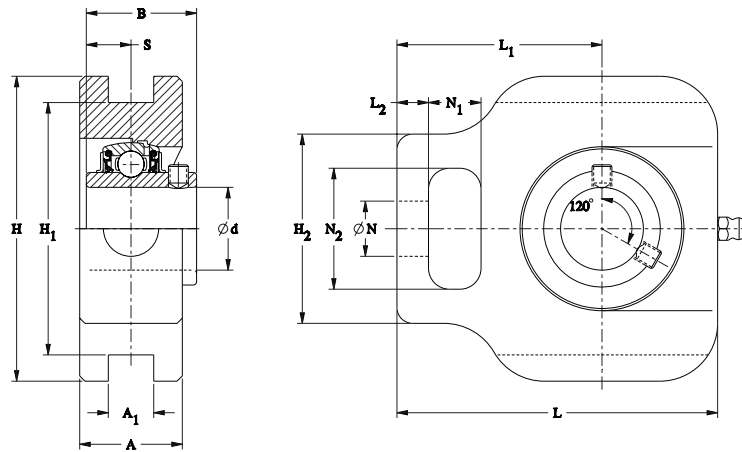
# HYGIENIC STAINLESS STEEL HOUSED UNITS WITH STAINLESS STEEL BALL BEARING INSERTS

## STAINLESS STEEL TAPPED-BASE (METRIC THREAD) HOUSED UNITS



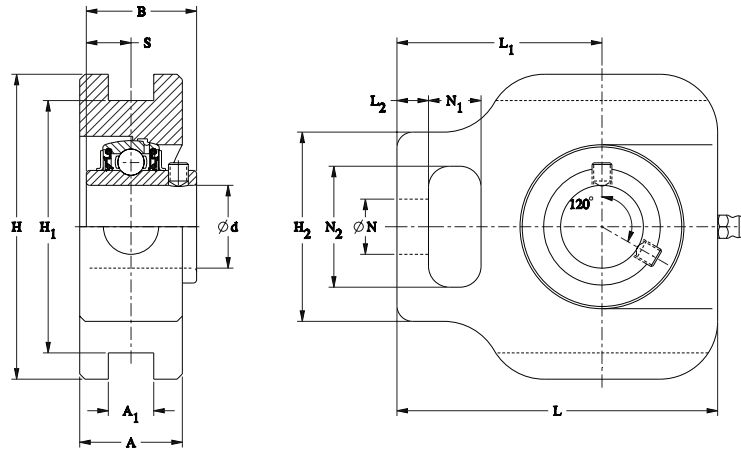
Shaft Dia. d		Tapped Base Designation	Bearing Designation	Basic Load Ratings		Dimensions								Wt.	
				Dynamic	Static	H	L	A	J	N	H <sub>2</sub>	H <sub>3</sub>	B		S
				C <sub>r</sub>	C <sub>0r</sub>	mm in.	mm in.	mm in.	mm in.	mm in.	mm in.	mm in.	mm in.		mm in.
40	1 ½	SUCATBYM208-24/F	SUC208-24/F	24.8 5575	14.3 3215	49.3 1.938	117.6 4.630	41.4 1.630	88.9 3.500	M12	100.1 3.940	19.1 0.750	49.2 1.937	19 0.748	2.1 4.7
	1 ⅝	SUCATBYM208-25/F	SUC208-25/F												
		<b>SUCATBYM208/F</b>	<b>SUC208/F</b>												
45	1 ⅞	SUCATBYM209-26/F	SUC209-26/F	27.8 6250	16.2 3642	54 2.125	127 5.000	43.7 1.720	95.3 3.750	M12	108 4.250	19.1 0.750	49.2 1.937	19 0.748	2.6 5.7
	1 11/16	SUCATBYM209-27/F	SUC209-27/F												
	1 ¾	SUCATBYM209-28/F	SUC209-28/F												
50	1 7/8	SUCATBYM210-30/F	SUC210-30/F	29.8 6699	18.6 4181	57.2 2.250	139.7 5.500	50 1.970	101.6 4.000	M16	114.3 4.500	22.2 0.875	51.6 2.031	19 0.748	3.4 7.4
	1 15/16	SUCATBYM210-31/F	SUC210-31/F												
	2	SUCATBYM210-32/F	SUC210-32/F												

STAINLESS STEEL TAKE-UP HOUSED UNITS



Shaft Dia. d		Take-Up Unit Designation	Bearing Designation	Basic Load Ratings		Dimensions													Wt.
				Dynamic C <sub>r</sub>	Static C <sub>0r</sub>	H	H <sub>1</sub>	L <sub>2</sub>	L <sub>1</sub>	A	N	L	H <sub>2</sub>	B	S	N <sub>1</sub>	N <sub>2</sub>	A <sub>1</sub>	
mm	in.			kN lbs	kN lbs	mm in.	mm in.	mm in.	mm in.	mm in.	mm in.	mm in.	mm in.	mm in.	mm in.	mm in.	mm in.	mm in.	kg lbs
20	¾	SUCAT204-12/F	SUC204-12/F	10.9	5.4	92.2	76.2	9.7	60.3	31	16.7	93.7	57.2	31	12.7	15.7	36.6	13.7	1.5
		SUCAT204/F	SUC204/F	2450	1203	3.620	3.000	0.380	2.375	1.220	0.656	3.688	2.250	1.220	0.500	0.620	1.438	0.540	3.2
25	7/8	SUCAT205-14/F	SUC205-14/F	11.9	6.3	92.2	76.2	9.7	61.9	31	16.7	96.8	57.2	34.1	14.3	15.7	36.6	13.7	1.4
	15/16	SUCAT205-15/F	SUC205-15/F																
		SUCAT205/F	SUC205/F																
30	1	SUCAT205-16/F	SUC205-16/F	16.5	9.1	104.9	88.9	9.7	69.9	37.3	19.8	111.3	66.9	38.1	15.9	19.8	41.4	13.7	2.2
	1 1/8	SUCAT206-18/F	SUC206-18/F																
	1 3/8	SUCAT206-19/F	SUC206-19/F																
		SUCAT206/F	SUC206/F																
35	1 1/4	SUCAT206-20/F	SUC206-20/F	21.8	12.3	104.9	88.9	9.7	76.2	37.3	19.8	122.2	66.9	42.9	17.5	19.8	41.4	13.7	2.4
	1 1/2	SUCAT207-20/F	SUC207-20/F																
	1 5/8	SUCAT207-21/F	SUC207-21/F																
	1 3/4	SUCAT207-22/F	SUC207-22/F																
		SUCAT207/F	SUC207/F																
1 7/8	SUCAT207-23/F	SUC207-23/F																	





Shaft Dia. d	Take-Up Unit Designation	Bearing Designation	Basic Load Ratings		Dimensions													Wt.		
			Dynamic	Static	H	H <sub>1</sub>	L <sub>2</sub>	L <sub>1</sub>	A	N	L	H <sub>2</sub>	B	S	N <sub>1</sub>	N <sub>2</sub>	A <sub>1</sub>			
			C <sub>r</sub>	C <sub>0r</sub>	mm	mm	mm	mm	mm	mm	mm	mm	mm	mm	mm	mm	mm		mm	mm
mm	in.		kN	kN	mm	mm	mm	mm	mm	mm	mm	mm	mm	mm	mm	mm	mm	mm	kg	
			lbs	lbs	in.	in.	in.	in.	in.	in.	in.	in.	in.	in.	in.	in.	in.	in.	lbs	
	1 1/2	SUCAT208-24/F	SUC208-24/F	24.8 5575	14.3 3215	114.3 4.500	101.6 4.000	14.2 0.563	87.3 3.438	47.8 1.880	26.2 1.031	139.7 5.500	81 3.188	49.2 1.937	19 0.748	23.9 0.937	49.3 1.938	17.8 0.696	3.5 7.8	
	1 5/8	SUCAT208-25/F	SUC208-25/F																	
40		SUCAT208/F	SUC208/F																	
	1 5/8	SUCAT209-26/F	SUC209-26/F	27.8 6250	16.2 3642	117.6 4.625	101.6 4.000	14.2 0.560	88.9 3.500	47.8 1.880	27 1.063	144.5 5.688	81 3.188	49.2 1.937	19 0.748	23.9 0.940	49.3 1.938	17.8 0.696	3.7 8.1	
	1 7/8	SUCAT209-27/F	SUC209-27/F																	
45		SUCAT209/F	SUC209/F																	
	1 7/8	SUCAT210-30/F	SUC210-30/F	29.8 6699	18.6 4181	120.7 4.750	101.6 4.000	14.2 0.560	90.5 3.563	47.8 1.880	27 1.063	147.6 5.813	81 3.188	51.6 2.031	19 0.748	23.9 0.940	49.3 1.938	17.8 0.696	3.9 8.6	
	1 15/16	SUCAT210-31/F	SUC210-31/F																	
50		SUCAT210/F	SUC210/F																	
	2	SUCAT210-32/F	SUC210-32/F																	





***STAINLESS STEEL  
SET SCREW LOCKING  
BALL BEARING INSERTS***

The following topics are covered within this section:

Stainless Steel Set Screw Locking Ball Bearing Inserts . . . . .74

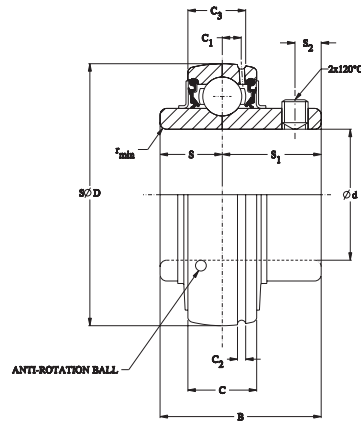
### STAINLESS STEEL SET SCREW LOCKING BALL BEARING INSERTS

- The set screw mounting feature is ideal for reversing load applications.
- All bearing components are made of stainless steel (races, balls, cage, flingers), providing superior corrosion resistance and full metal detectability.
- Bearings are pre-lubricated with NSF H1 grease and ready for immediate installation.
- An external stainless steel flinger provides the first level of protection against contamination.
- The three element sealing offers additional levels of protection with the flinger contact interface and land riding seals, in addition to the inward facing seal lip to keep grease in.

Shaft Dia. d		Bearing Designation	Basic Load Ratings		Dimensions							Min. Fillet Radius r (min.)	Set Screw Size G	Wt.
			Dynamic	Static	D	C	B	S <sub>2</sub>	C <sub>1</sub>	S	S <sub>1</sub>			
			C <sub>r</sub>	C <sub>0r</sub>										
mm	in.		kN lbs.	kN lbs.	mm in.	mm in.	mm in.	mm in.	mm in.	mm in.	mm in.	mm in.	mm in.	kg lbs.
20	3/4	SUC204-12/F	10.9 2450	5.35 1203	47.0 1.850	16.0 0.630	31.0 1.220	5.0 0.197	4.0 0.157	12.7 0.500	18.3 0.720	1.0 0.039	M6 0.75	0.2 0.4
		SUC204/F												0.2 0.4
25	7/8	SUC205-14/F	11.9 2675	6.30 1416	52.0 2.047	17.0 0.669	34.1 1.343	5.5 0.217	4.7 0.185	14.3 0.563	19.8 0.78	1.0 0.039		0.2 0.5
	1 1/16	SUC205-15/F												0.2 0.5
		SUC205/F												0.2 0.4
	1	SUC205-16/F												0.2 0.4
30	1 1/8	SUC206-18/F	16.5 3709	9.05 2035	62.0 2.441	19.0 0.748	38.1 1.500	6.0 0.236	5.0 0.197	15.9 0.626	22.2 0.874	1.0 0.039		0.3 0.7
		SUC206/F												0.3 0.7
	1 3/16	SUC206-19/F												0.3 0.7
	1 1/4	SUC206-20/F												0.3 0.7
35	1 1/4	SUC207-20/F	21.8 4901	12.30 2765	72.0 2.835	20.0 0.787	42.9 1.689	6.5 0.256	5.5 0.217	17.5 0.689	25.4 1.000	1.1 0.043	M8 1.0	0.5 1.1
	1 5/16	SUC207-21/F											0.5 1.1	
	1 3/8	SUC207-22/F											0.5 1.1	
		SUC207/F											0.5 1.1	
	1 7/16	SUC207-23/F											0.4 0.9	

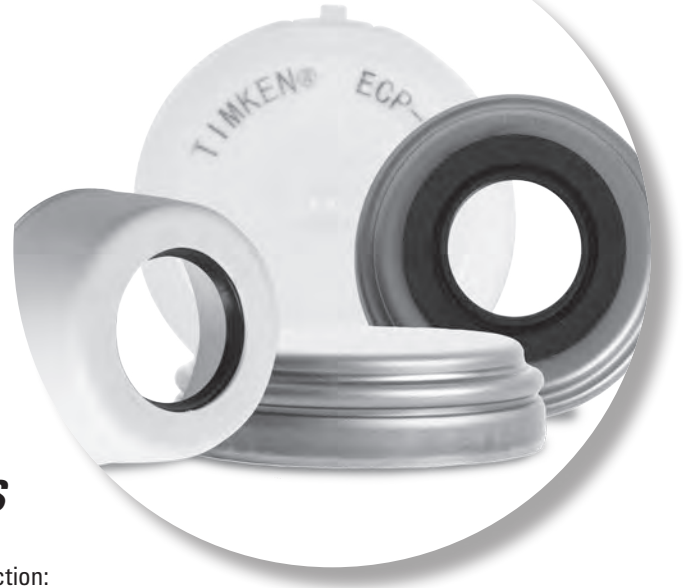
# STAINLESS STEEL SET SCREW LOCKING BALL BEARING INSERTS

## STAINLESS STEEL SET SCREW LOCKING BALL BEARING INSERTS



Shaft Dia. d		Bearing Designation	Basic Load Ratings		Dimensions							Min. Fillet Radius r (min.)	Set Screw Size G	Wt.
			Dynamic C <sub>r</sub>	Static C <sub>0r</sub>	D	C	B	S <sub>2</sub>	C <sub>1</sub>	S	S <sub>1</sub>			
mm	in.		kN lbs.	kN lbs.	mm in.	mm in.	mm in.	mm in.	mm in.	mm in.	mm in.	mm in.	mm in.	kg lbs.
	1 1/2	SUC208-24/F	24.8 5575	14.30 3215	80.0 3.150	21.0 0.827	49.2 1.937	8.0 0.315	6.0 0.236	19.0 0.748	30.2 1.189	1.1 0.043	M8 1.0	0.7 1.5
	1 5/16	SUC208-25/F												0.6 1.3
40		SUC208/F												0.6 1.3
	1 5/8	SUC209-26/F	27.8 6250	16.20 3642	85.0 3.346	22.0 0.866	49.2 1.937	8.0 0.315	6.0 0.236	19.0 0.748	30.2 1.189	1.1 0.043		0.8 1.8
	1 11/16	SUC209-27/F												0.7 1.5
	1 3/4	SUC209-28/F												0.7 1.5
45		SUC209/F	0.7 1.5											
	1 7/8	SUC210-30/F	29.8 6699	18.60 4181	90.0 3.543	24.0 0.945	51.6 2.031	9.0 0.354	6.0 0.236	19.0 0.748	32.6 1.283	1.1 0.043		0.9 2.0
	1 15/16	SUC210-31/F												0.8 1.8
		SUC210/F												0.8 1.8
50		SUC210/F	0.8 1.8											
	2	SUC210-32/F	0.8 1.8											





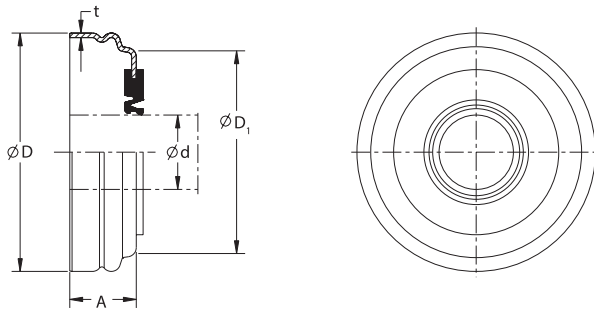
***CORROSION-RESISTANT  
HOUSED UNIT END COVERS***

The following topics are covered within this section:

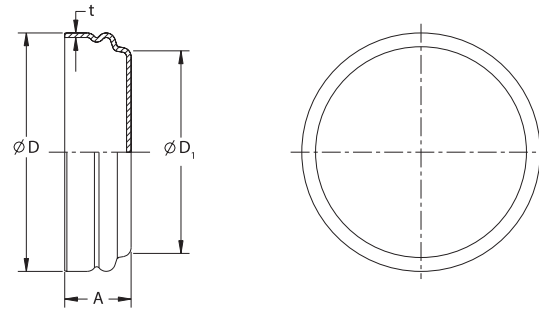
Stainless Steel End Covers.....	78
Polymer End Covers.....	79
End Cover Dimensions .....	80

### STAINLESS STEEL END COVERS

OPEN TYPE



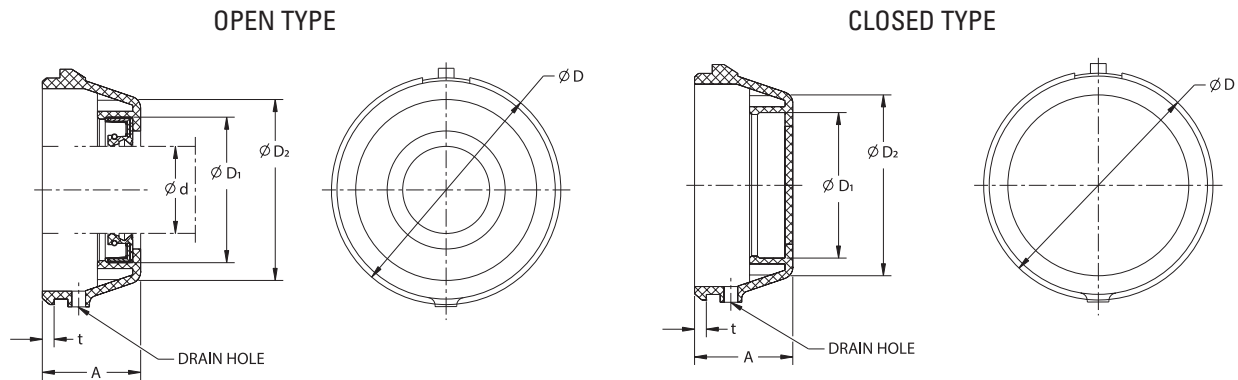
CLOSED TYPE



Shaft Dia. d		Part Number		Dimensions			
		Open	Closed	D	D <sub>1</sub>	A	t
in.	mm			mm in.	mm in.	mm in.	mm in.
3/4		E0S-U204-12	ECS-U204	<b>52</b>	<b>45</b>	<b>14.5</b>	<b>1</b>
	<b>20</b>	<b>E0S-U204</b>		2 3/64	1 49/64	37/64	0.039
1	<b>25</b>	<b>E0S-U205</b>	ECS-U205	<b>58</b>	<b>51</b>	<b>15.5</b>	<b>1</b>
		E0S-U205-16		2 9/32	2 1/64	39/64	0.039
1 1/16	<b>30</b>	<b>E0S-U206</b>	ECS-U206	<b>68</b>	<b>61</b>	<b>16.5</b>	<b>1</b>
		E0S-U206-19		2 43/64	2 13/32	2 1/32	0.039
1 1/4		E0S-U206-20	ECS-U206				
	<b>35</b>	<b>E0S-U207</b>		ECS-U207	<b>78</b>	<b>70</b>	<b>18.5</b>
	E0S-U207-20	3 3/64	2 3/4		47/64	0.039	
1 7/16		E0S-U207-23	ECS-U208				
1 1/2	<b>40</b>	<b>E0S-U208</b>		<b>86</b>	<b>78</b>	<b>22.5</b>	<b>1</b>
		E0S-U208-24	3 25/64	3 3/64	57/64	0.039	
1 11/16		E0S-U209-27	ECS-U209	<b>92</b>	<b>84</b>	<b>22</b>	<b>1</b>
	<b>45</b>	<b>E0S-U209</b>		3 5/8	3 5/16	55/64	0.039
1 15/16		E0S-U210-31	ECS-U210	<b>96</b>	<b>88</b>	<b>24</b>	<b>1</b>
	<b>50</b>	<b>E0S-U210</b>		3 25/32	3 15/32	15/16	0.039
2		E0S-U210-32					



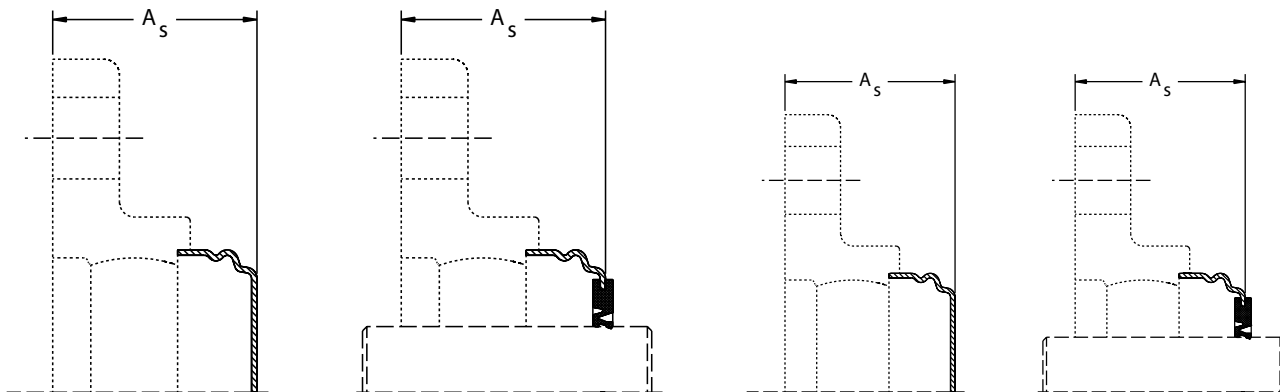
## POLYMER END COVERS



Shaft Dia. d		Part Number		Dimensions				
		Open	Closed	D	D <sub>1</sub>	D <sub>2</sub>	A	t
in.	mm			mm in.	mm in.	mm in.	mm in.	mm in.
3/4		EOP-U204-12	ECP-U204	<b>52.35</b>	<b>32</b>	<b>41</b>	<b>23</b>	<b>3</b>
	<b>20</b>	<b>EOP-U204</b>		2 1/16	1 1/64	1 39/64	29/32	0.118
1	<b>25</b>	<b>EOP-U205</b>	ECP-U205	<b>58.35</b>	<b>37</b>	<b>46</b>	<b>25</b>	<b>3</b>
		EOP-U205-16		2 19/64	1 29/64	1 13/16	63/64	0.118
1 1/16	<b>30</b>	<b>EOP-U206</b>	ECP-U206	<b>68.35</b>	<b>42</b>	<b>52</b>	<b>30</b>	<b>3</b>
		EOP-U206-19		2 11/16	1 21/32	2 3/64	1 3/16	0.118
1 1/4		EOP-U206-20	ECP-U207	<b>78.35</b>	<b>47</b>	<b>62</b>	<b>32</b>	<b>3</b>
	<b>35</b>	<b>EOP-U207</b>		3 3/64	1 27/32	2 7/16	1 17/64	0.118
1 7/16		EOP-U207-23	ECP-U208	<b>86.35</b>	<b>52</b>	<b>70</b>	<b>37</b>	<b>3</b>
	<b>40</b>	<b>EOP-U208</b>		3 13/32	2 3/64	2 3/4	1 29/64	0.118
1 1/2		EOP-U208-24	ECP-U209	<b>92.35</b>	<b>58</b>	<b>73</b>	<b>41</b>	<b>3</b>
	<b>45</b>	<b>EOP-U209</b>		3 41/64	2 3/32	2 7/8	1 39/64	0.118
1 5/16		EOP-U210-31	ECP-U210	<b>96.35</b>	<b>62</b>	<b>79</b>	<b>47</b>	<b>3</b>
	<b>50</b>	<b>EOP-U210</b>		3 51/64	2 7/16	3 7/64	1 27/32	0.118
2		EOP-U210-32						

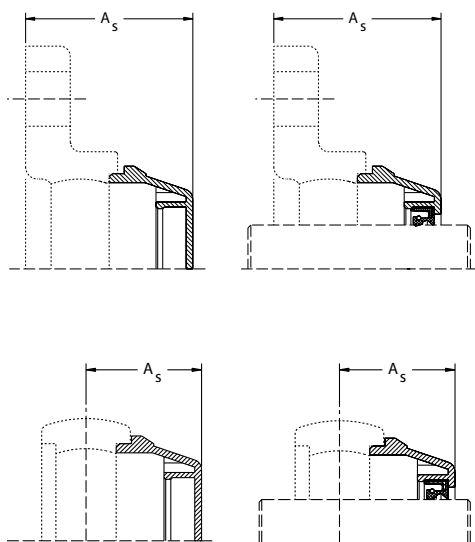
**END COVER DIMENSIONS**

STAINLESS STEEL END COVERS IN STAINLESS STEEL HOUSINGS



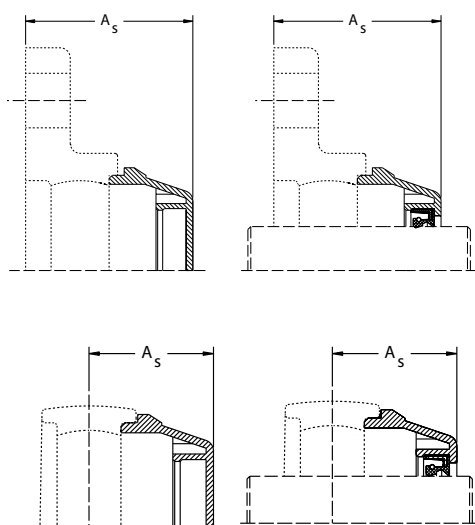
Basic Size	Dimension A <sub>s</sub>				
	Stainless Steel End Covers in Stainless Steel Housings				
	Pillow Block	Tapped Base	Two Bolt	Four Bolt	Take-Up
	mm in.	mm in.	mm in.	mm in.	mm in.
204	22.5 0.886	22.5 0.886	37 1.457	37 1.457	22.5 0.886
205	24.5 0.965	24.5 0.965	39.5 1.555	39.5 1.555	24.5 0.965
206	26.5 1.043	26.5 1.043	44 1.732	44 1.732	26.5 1.043
207	30 1.181	30 1.181	49 1.929	49 1.929	30 1.181
208	34.5 1.358	34.5 1.358	55 2.165	55 2.165	34.5 1.358
209	34.5 1.358	34.5 1.358	56 2.205	56 2.205	34.5 1.358
210	36.5 1.437	36.5 1.437	58.5 2.303	58.5 2.303	36.5 1.437

## POLYMER END COVERS IN POLYMER HOUSINGS



Basic Size	Dimension A <sub>s</sub>				
	Polymer End Covers in Polymer Housings				
	Pillow Block	Two Bolt	Three Bolt	Four Bolt	Tapped Base
	mm in.	mm in.	mm in.	mm in.	mm in.
204	31.5 1.240	46.5 1.831	45.6 1.795	48 1.890	31.5 1.240
205	34 1.339	49.7 1.957	55.5 2.185	50.7 1.996	34 1.339
206	39.5 1.555	57.5 2.264	58.8 2.315	58.7 2.311	39.5 1.555
207	42.5 1.673	61.2 2.409	64.2 2.528	63.7 2.508	42.5 1.673
208	48 1.890	68.7 2.705	- -	70.7 2.783	48 1.890
209	52.5 2.067	74.5 2.933	- -	76.5 3.012	52.5 2.067
210	59.5 2.343	81.5 3.209	- -	84.5 3.209	59.5 2.343

## POLYMER END COVERS IN STAINLES STEEL HOUSINGS



Basic Size	Dimension A <sub>s</sub>				
	Polymer End Covers in Stainless Steel Housings				
	Pillow Block	Two Bolt	Four Bolt	Take-Up	Tapped Base
	mm in.	mm in.	mm in.	mm in.	mm in.
204	31 1.220	45.5 1.791	45.5 1.791	31 1.220	31 1.220
205	34 1.339	49 1.929	49 1.929	34 1.339	34 1.339
206	40 1.575	57.5 2.264	57.5 2.264	40 1.575	40 1.575
207	43.5 1.713	62.5 2.461	62.5 2.461	43.5 1.713	43.5 1.713
208	49 1.929	69.5 2.736	69.5 2.736	49 1.929	49 1.929
209	53.5 2.106	75 2.953	75 2.953	53.5 2.106	53.5 2.106
210	60 2.362	82 3.228	82 3.228	60 2.362	60 2.362

## CORROSION-RESISTANT PRODUCT OFFERING

Timken offers a broad range of standard corrosion-resistant Ball Housed Unit Stainless Steel Insert Units.

- Ball Housed Unit Stainless Steel Inserts available in 204-210 series (20 mm - 50 mm and ¾ in. - 2 in.).

- Housings available in cast stainless steel, white polymer (thermoplastic) as well as in hygienic blue polymer (thermoset) and hygienic stainless steel, in all mounting styles.

**TABLE 10.**  
**CURRENT CORROSION-RESISTANT PRODUCT OFFERING**

Housing Style	Insert Series						
	204	205	206	207	208	209	210
Pillow block (P)	S, PL, B, A	S, PL, B, A	S, PL, B, A	S, PL, B, A	S, PL, B, A	S, PL, B, A	S, PL, B, A
Two-bolt flange (FL)	S, PL, B, A	S, PL, B, A	S, PL, B, A	S, PL, B, A	S, PL, B, A	S, PL, B, A	S, PL, B, A
Three-bolt flange (FB)	S, PL, B, A	S, PL, B, A	S, PL, B, A	S, PL, B, A	S, B, A	B, A	B, A
Four-bolt flange (F)	S, PL, B, A	S, PL, B, A	S, PL, B, A	S, PL, B, A	S, PL, B, A	S, PL, B, A	S, PL, B, A
Take-up, wide slot (T)	S, B, A	S, B, A	S, B, A	S, B, A	S, B, A	S, B, A	S, B, A
Tapped-base (TB)	S	S	S	S	S	S	S
Tapped-base, Y series design with imperial thread (TBY)	S, B, A	S, B, A	S, B, A	S, B, A	S, B, A	B, A	B, A
Tapped Base, Y series design with metric thread (TBYM)	S, B, A	S, B, A	S, B, A	S, B, A	S, B, A	B, A	B, A
Pillow block low-base (PL)	B, A	B, A	B, A	B, A	B, A	B, A	B, A
Two-bolt flange, small bolt pattern (FLS)	B, A	B, A	B, A	B, A	–	–	–
Three-bolt flange, round (FRB)	B, A	B, A	B, A	B, A	A	A	A
Piloted flange four-bolt (FC)	–	B, A	B, A	B, A	B, A	B, A	B, A
Take-up, narrow slot (TN)	B, A	B, A	B, A	B, A	B, A	B, A	B, A
Hanger Bearing (H)	A	A	A	A	A	A	A

- S** Stainless steel
- PL** White polymer (thermoplastic)
- A** Hygienic stainless steel
- B** Hygienic blue polymer (thermoset)

**Current offering shown in catalog product tables.**

**For product data, price and availability, contact your local sales representative.**

DOWNLOAD 3D MODELS AND 2D DRAWINGS AT [CAD.TIMKEN.COM](http://CAD.TIMKEN.COM)









To view more Timken catalogs, go to [www.timken.com/catalogs](http://www.timken.com/catalogs) for interactive versions, or to download a catalog app for your smart phone or mobile device scan the QR code or go to [timkencatalogs.com](http://timkencatalogs.com).

# TIMKEN

The Timken team applies their know-how to improve the reliability and performance of machinery in diverse markets worldwide. The company designs, makes and markets bearings, gear drives, automated lubrication systems, belts, brakes, clutches, chain, couplings, linear motion products and related power transmission rebuild and repair services.

**Price: USD \$75**

**Stronger. By Design.**

[www.timken.com](http://www.timken.com)